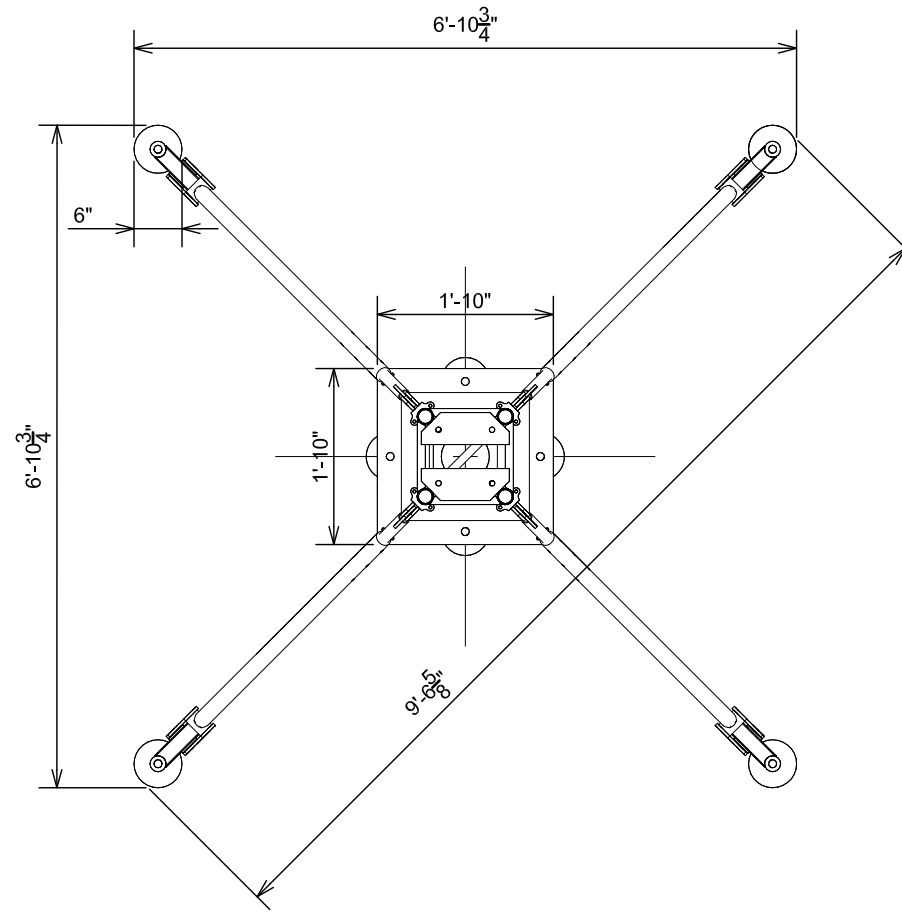
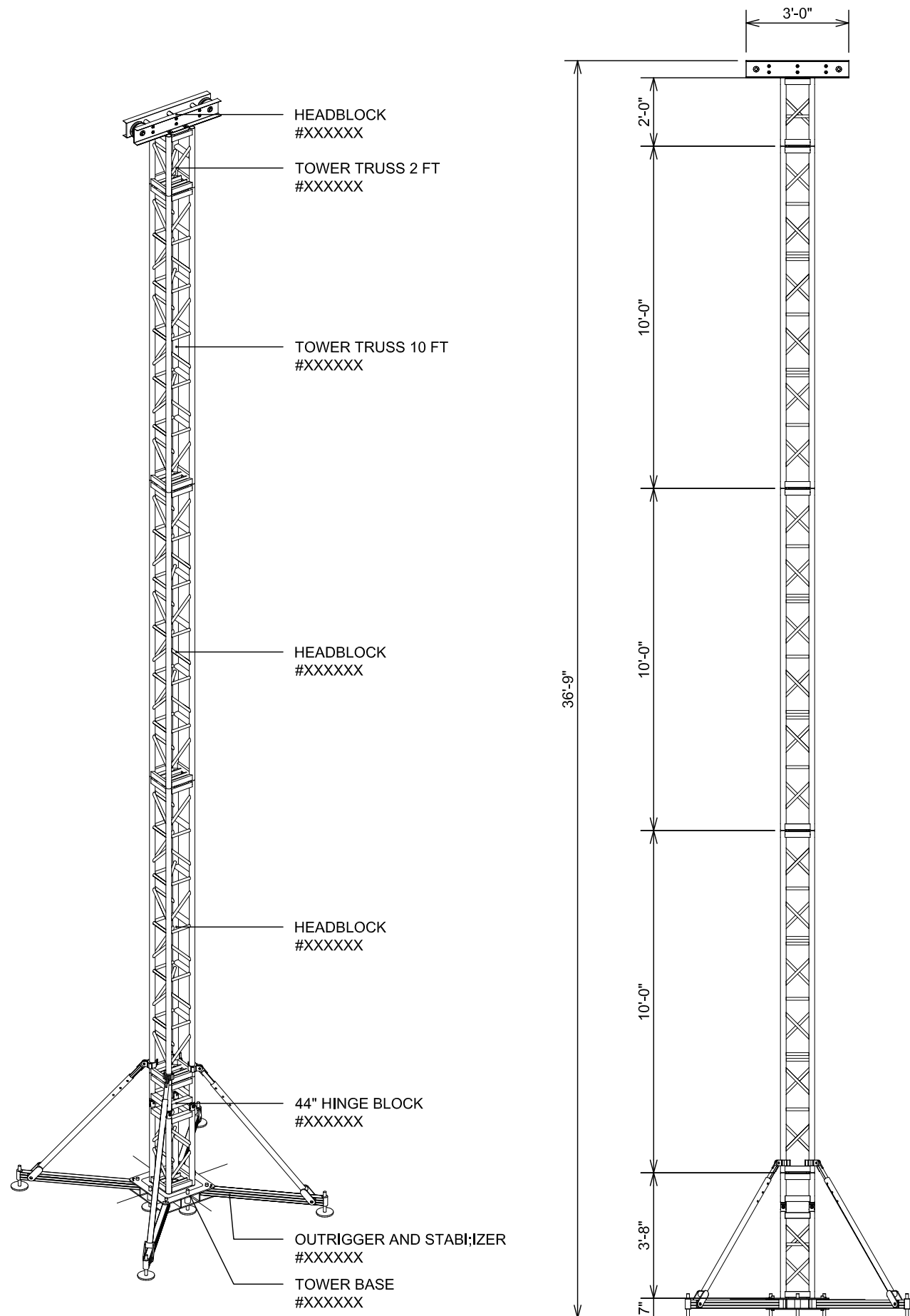


12"x12" GROUND SUPPORT TOWER SYSTEM



HEIGHT	TOWER CAPACITY [POUNDS]			
	TOWER END FIXITY ¹			
	K = 1.0	K = 1.2	K = 2.0	K = 2.1
10'	16,000	16,000	16,000	16,000
20'	14,000	13,000	8,000	7,000
30'	9,000	7,500	4,000	3,000
40'	3,000	4,000	1,700	1,200

NOTES:

1. FIXITIES ARE AS FOLLOWS:

- K = 1.0 TOP AND BOTTOM OF TOWER ARE PINNED [ALLOWED TO ROTATE BUT NOT TRANSLATE]
- K = 1.2 ONE END FIXED OTHER END ALLOWED TO TRANSLATE BUT NOT ROTATE
- K = 2.0 ONE END PINNED AND OTHER END ALLOWED TO TRANSLATE BUT NOT ROTATE
- K = 2.1 ONE END FIXED AND OTHER END FREE [I.E. CANTILEVER]

2. ALWAYS - IF IN DOUBT ASK