

Road Case

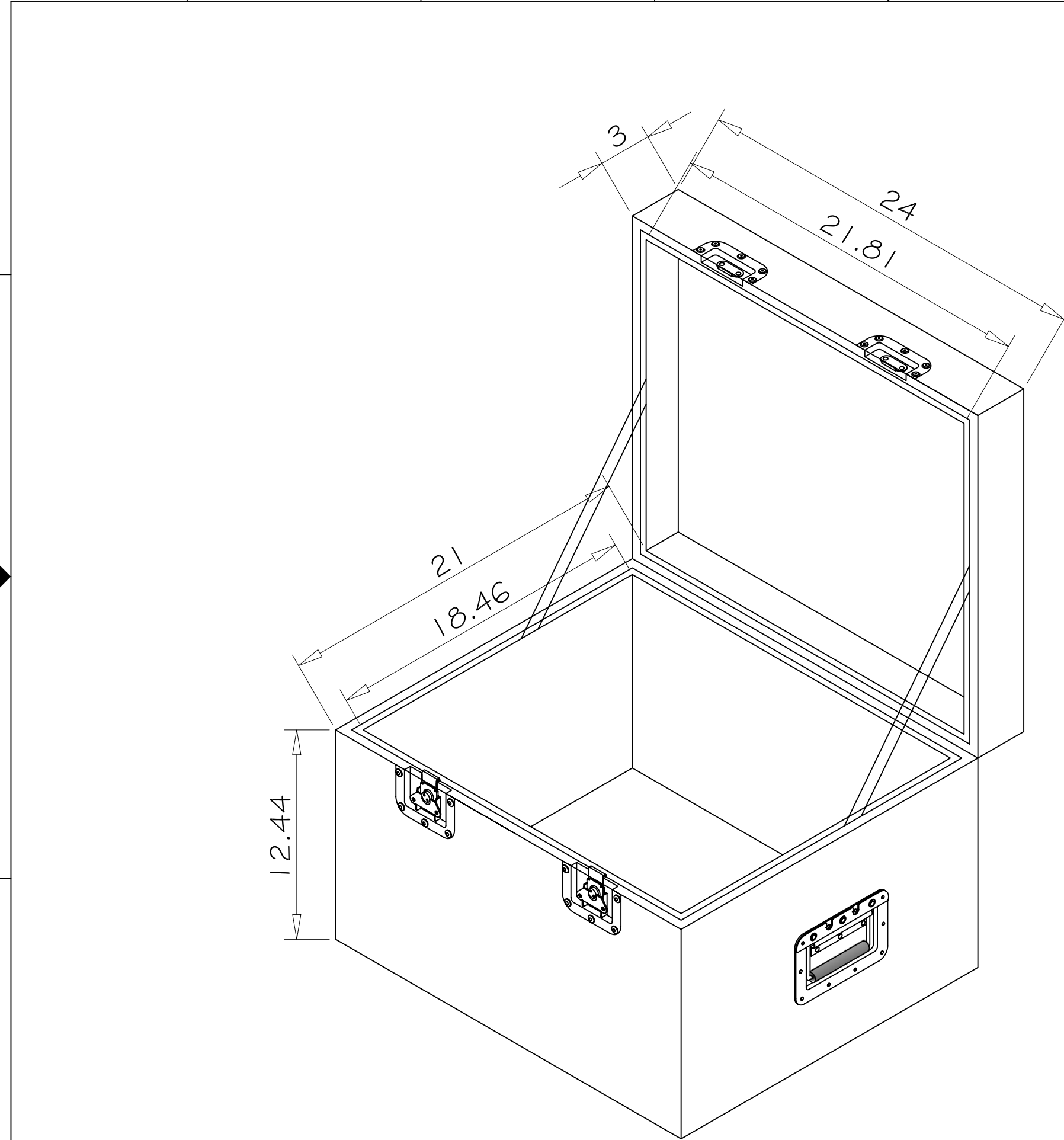
02/05/15

PNE

8 7 6 5 4 3 2 1

D  
C  
B  
A

D  
C  
B



# JEM K1 Hazer

- Note:
1. Foam 5mm/10mm EVA
  2. Dist' btw rivets 120 mm
  3. 12mm thick plywood
  4. Panel : ABS board
  5. piano hinge

REVISIONS				
ZONE	REV	DESCRIPTION	DATE	APPROVED



JEM K1 Hazer  
Road Case

SIZE <b>B</b>	FSCM NO.	DWG NO.
SCALE <b>3</b>	<b>NONE</b>	SHEET <b>1</b> / REV