

Road Case

02/05/15

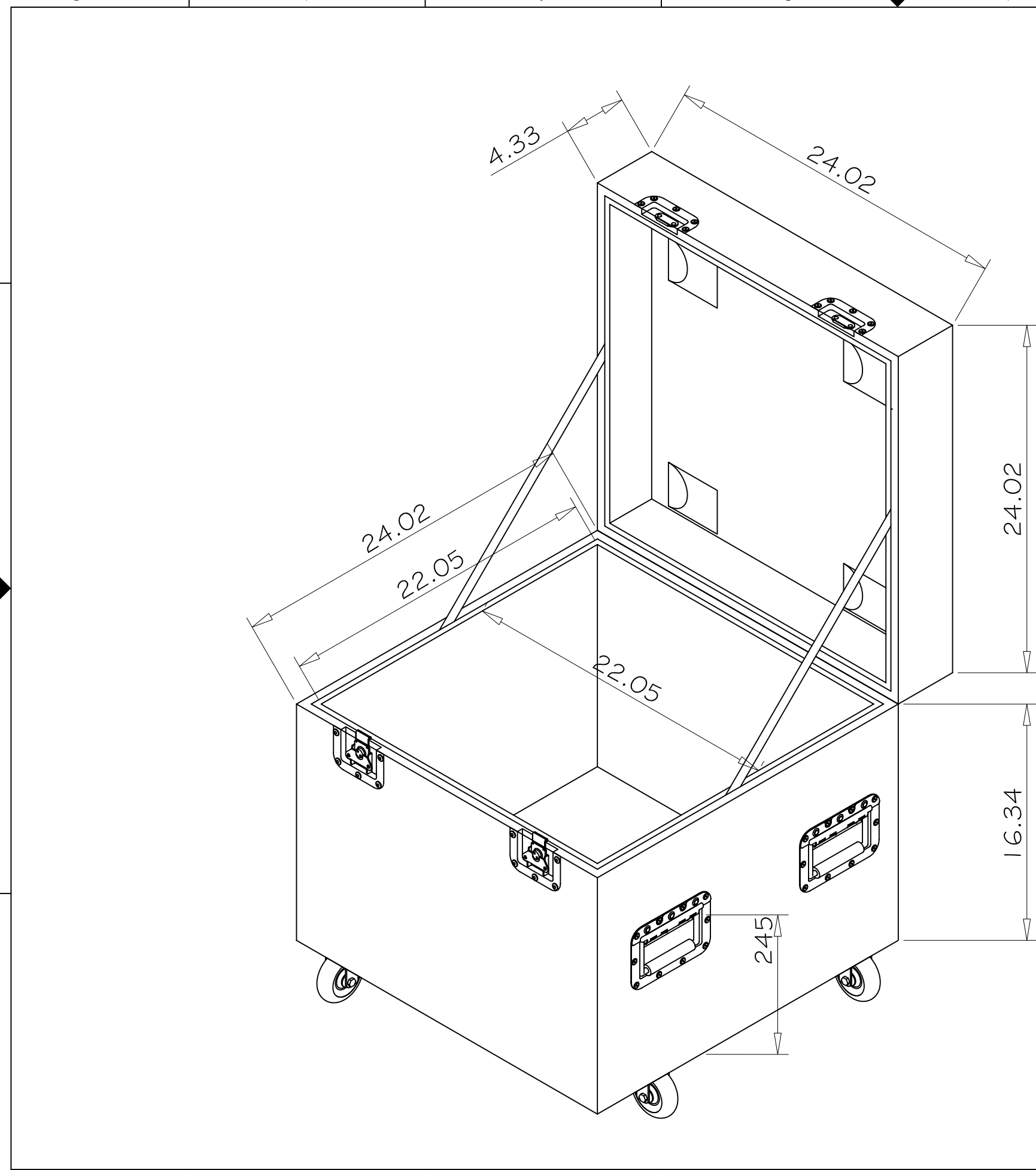
PNE

8 7 6 5 4 3 2 1

D
C
B
A

D
C
B

8 7 6 5



Utility Case

- Note:
1. Foam 10mm EVA
 2. Dist' btw rivets 120 mm
 3. 12mm thick plywood
 4. Panel : ABS board
 5. Wheels 4-inch round four with no brakes

REVISIONS				
ZONE	REV	DESCRIPTION	DATE	APPROVED



Utility Road Case

SIZE B	FSCM NO.	DWG NO.
SCALE 3	NONE	SHEET 1:1
		1 REV

THIS DOCUMENT AND THE SPECIFICATIONS DESCRIBED WITHIN ARE THE EXCLUSIVE PROPERTY OF B.M.L INC. THEY ARE ISSUED IN STRICT CONFIDENCE AND SHALL NOT BE REPRODUCED, COPIED, OR USED WITHOUT THE PRIOR WRITTEN PERMISSION OF B.M.L INC.