

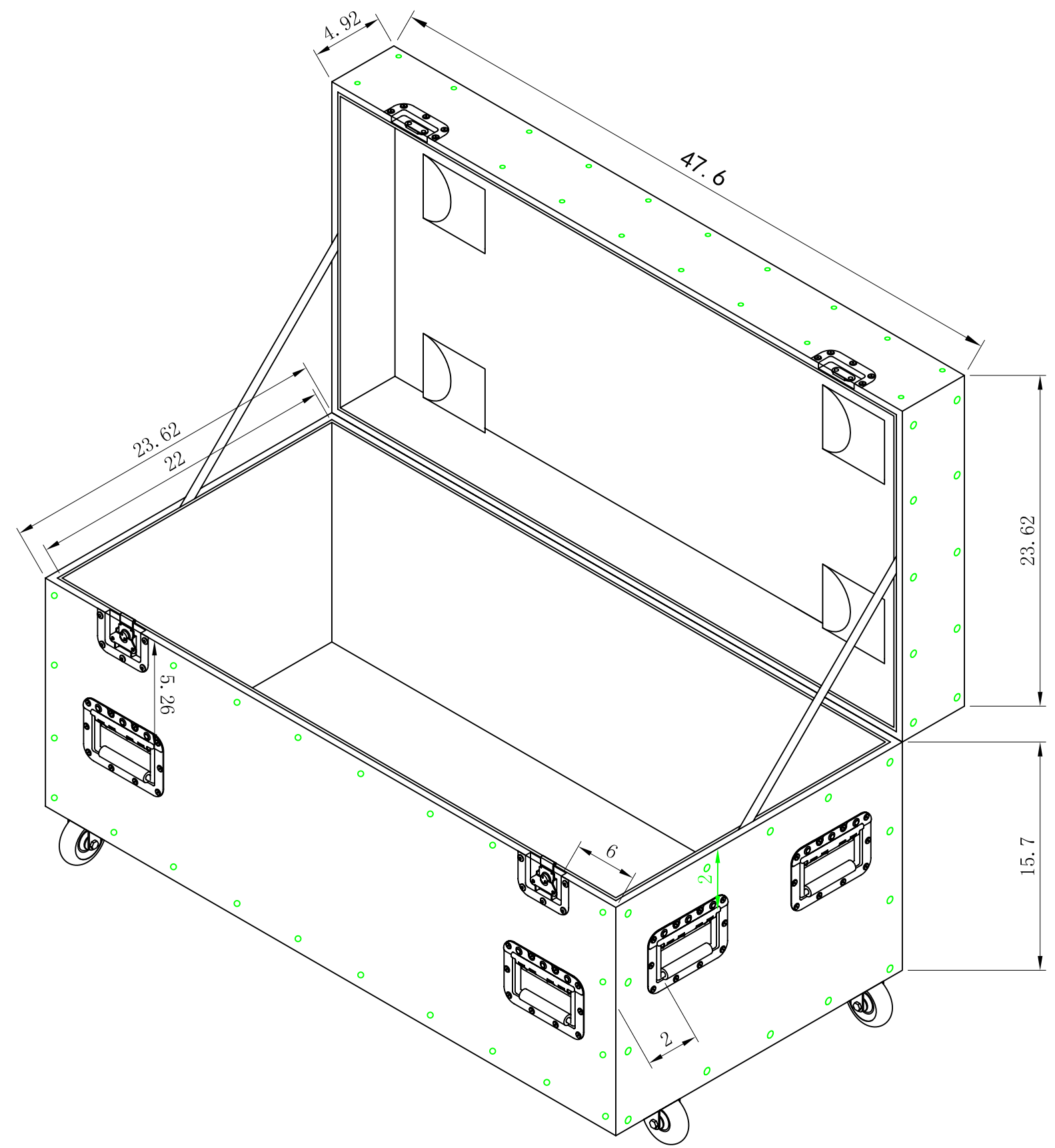
02/05/15

PNE

Road Case

8 7 6 5 4 3 2 1

REV		DESCRIPTION	DATE	APPROVED



C mut low Case

- Note:
1. Foam 5mm EVA
 2. Dist' btw rivets 120 mm
 3. 12mm thick plywood
 4. Panel : ABS board
 5. Wheels 4-inch round four with no brakes



c MUT low Road Case

SIZE B	FSCM NO.	DWG NO.
SCALE 3	NONE	SHEET 1 REV