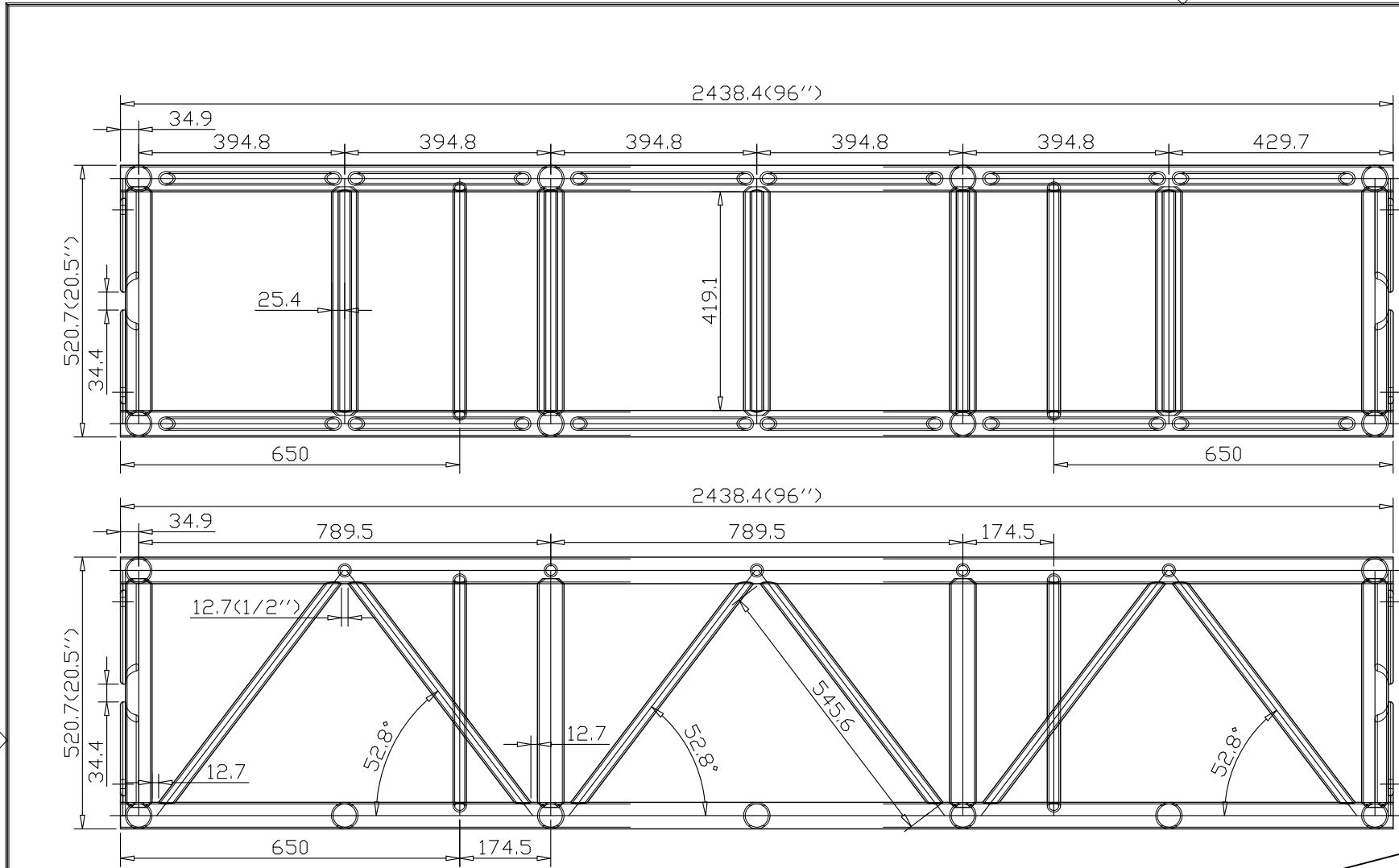


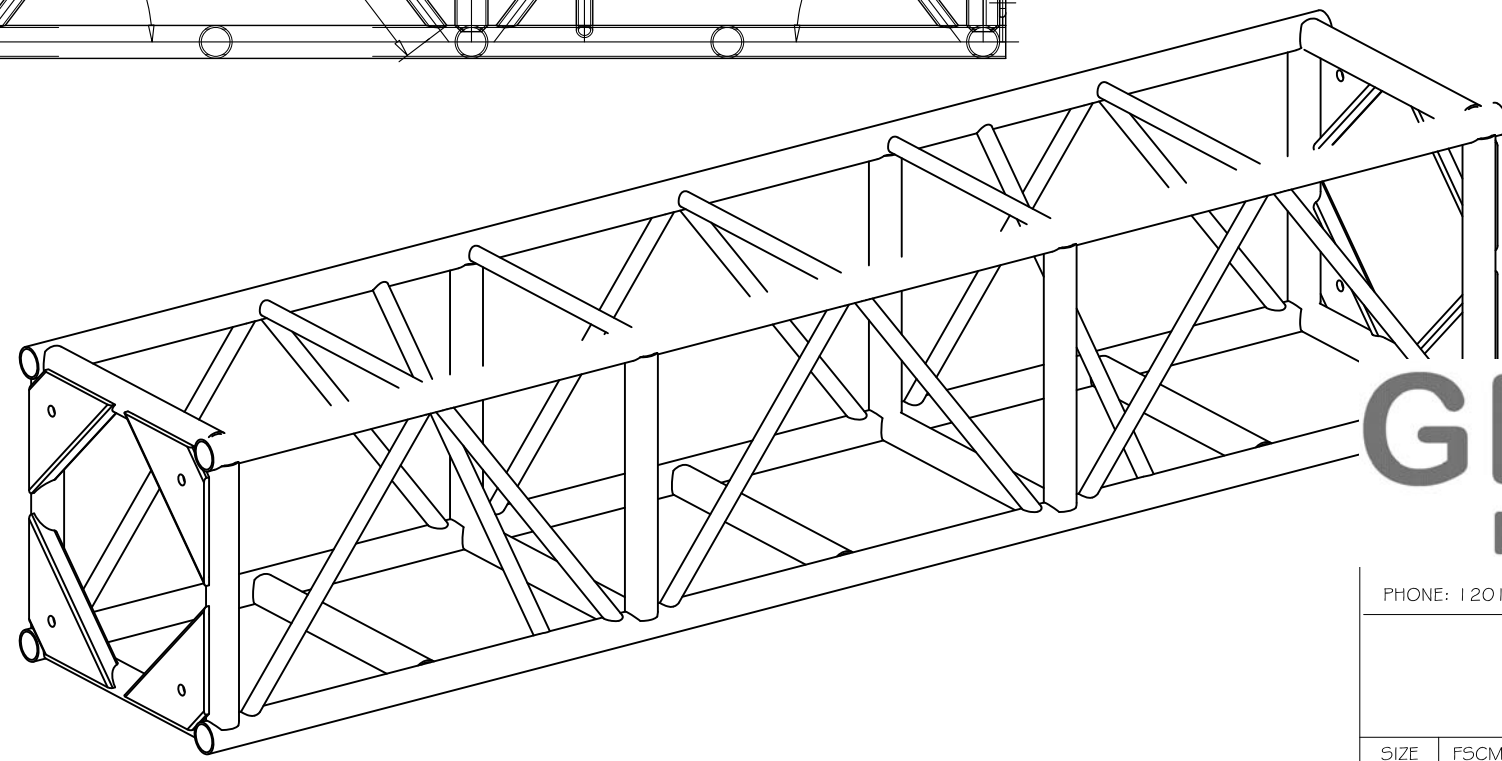
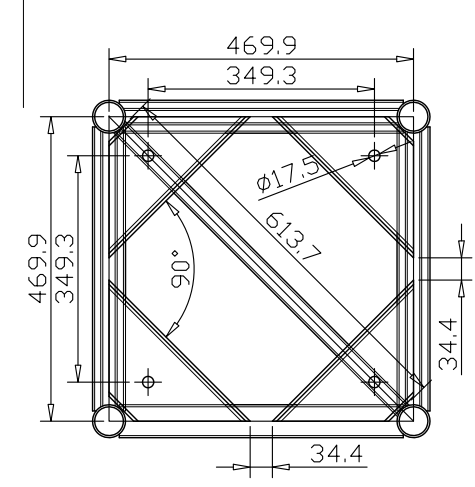
20.5X8FT

6 16 2015

PNE



REVISIONS				
ZONE	REV	DESCRIPTION	DATE	APPROVED



33.8kg

GENERIC
Entertainment Products

PHONE: 1 201.617.8900 FAX: 1 201.617.8908 WEB: WWW.GENERICOEP.COM

TRUSS 20.5"
8FT

SIZE B	FSCM NO.	DWG NO.
SCALE NONE	SHEET 1:1	REV

THIS DOCUMENT AND THE SPECIFICATIONS DESCRIBED WITHIN ARE THE EXCLUSIVE PROPERTY OF GEP INC. THEY ARE ISSUED IN STRICT CONFIDENCE AND SHALL NOT BE REPRODUCED, COPIED, OR USED WITHOUT THE PRIOR WRITTEN PERMISSION OF QUANTUM ENERGY DEVICES, INC.