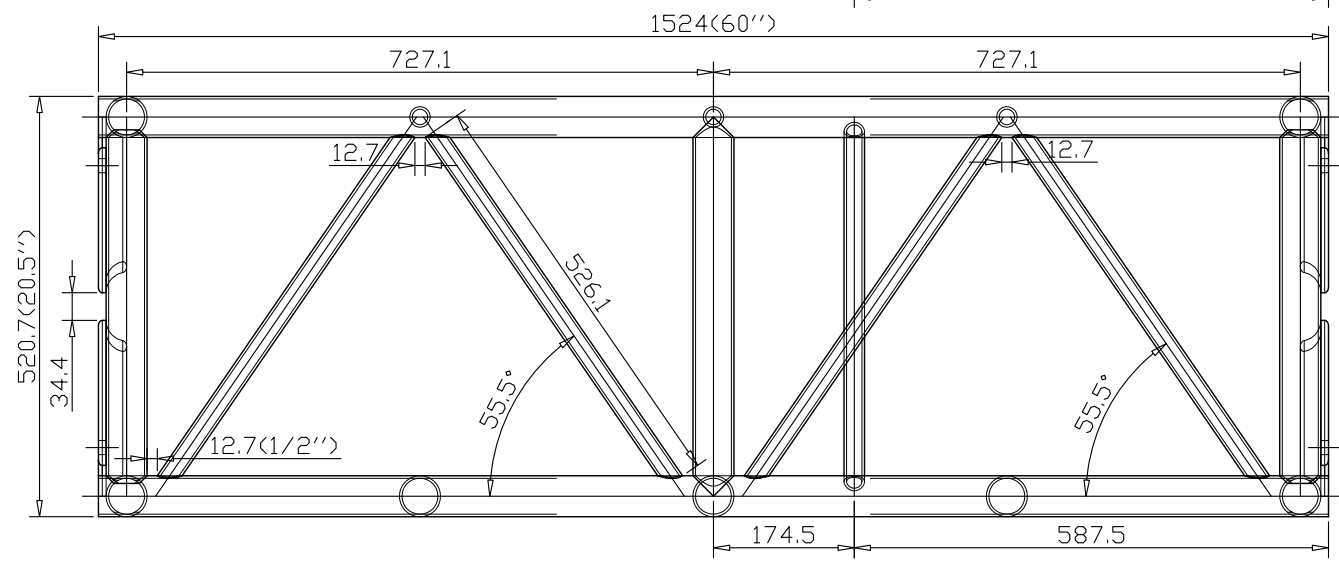
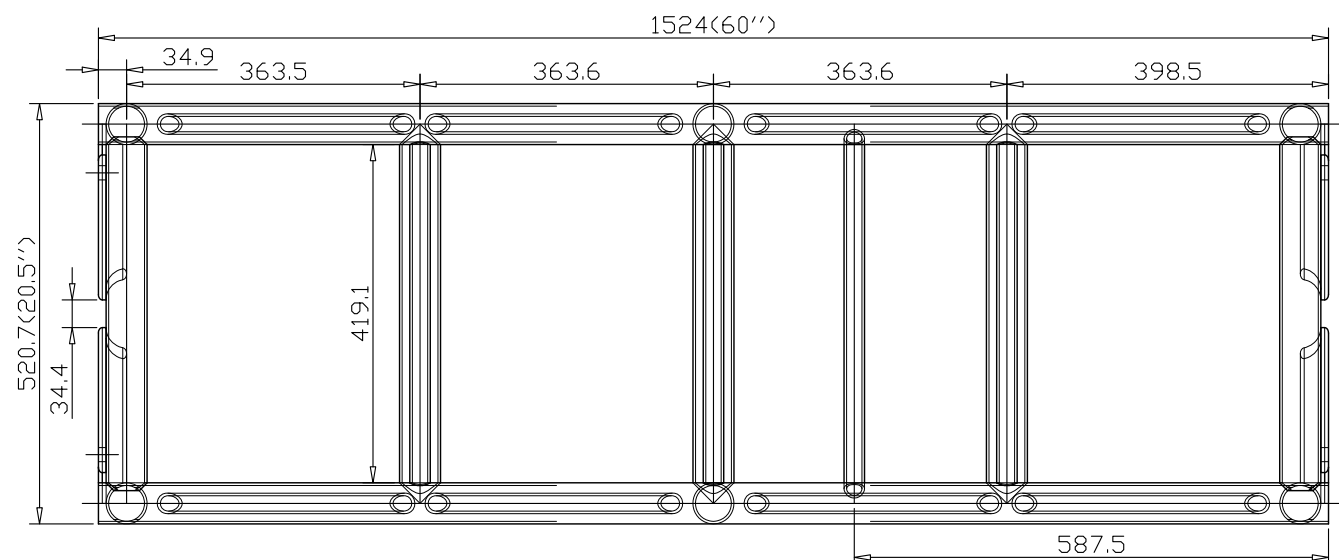


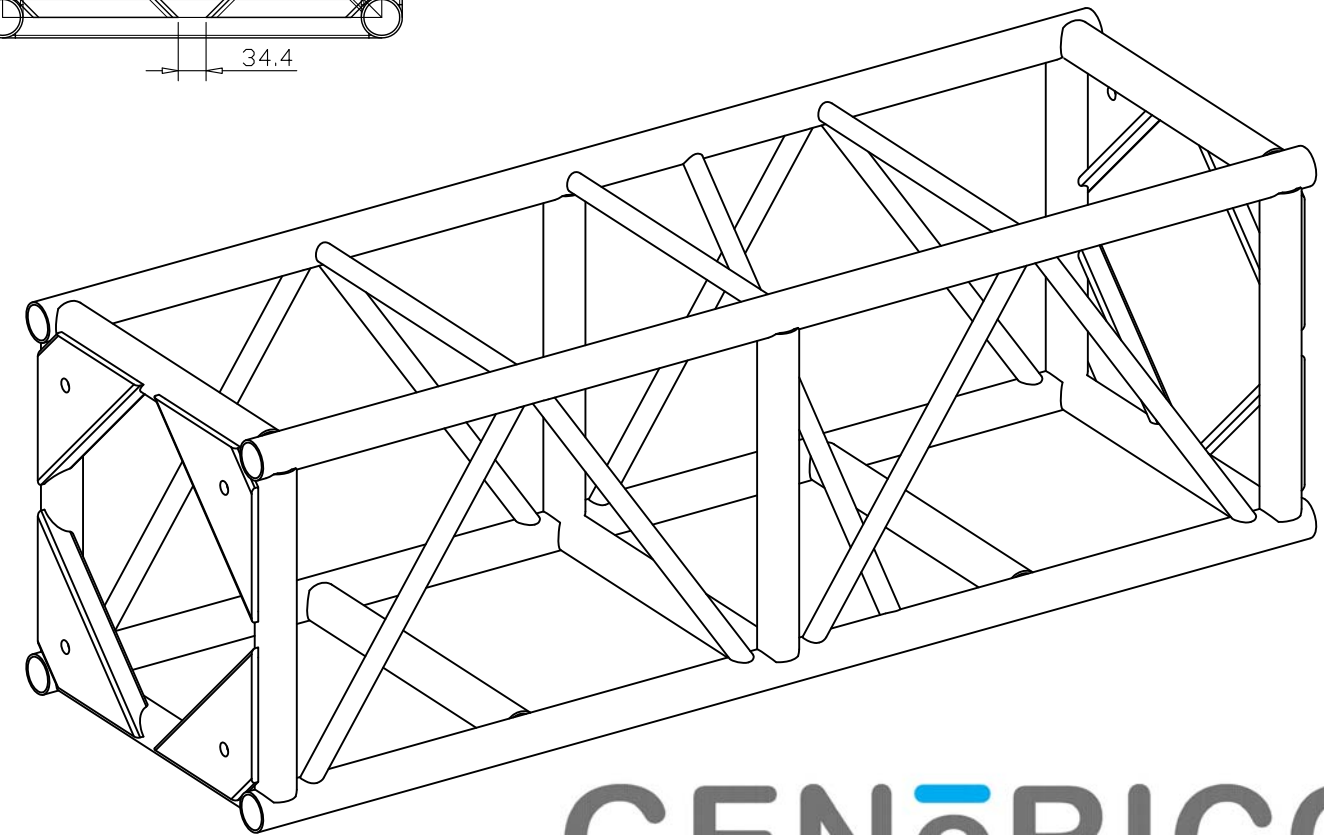
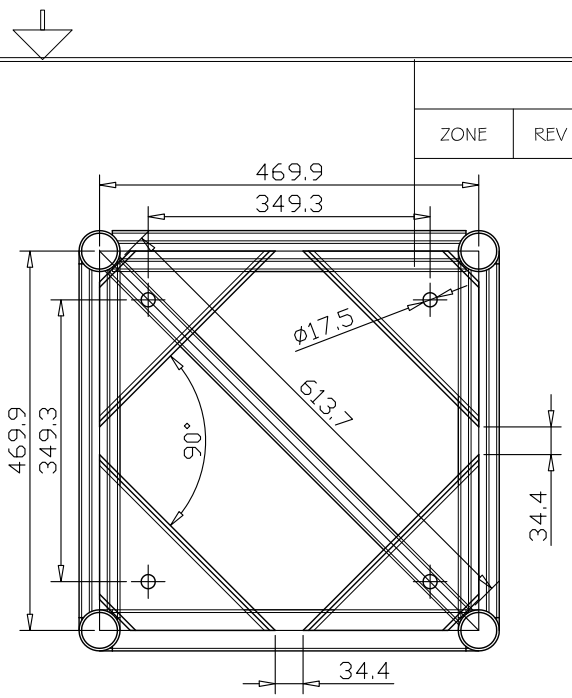
20.5X5FT

06.16.2015

PNE



24.6kg



| REVISIONS | | | | |
|-----------|-----|-------------|------|----------|
| ZONE | REV | DESCRIPTION | DATE | APPROVED |

GENERIC
Entertainment Products

PHONE: 1 201.617.8900 FAX: 1 201 617.8908 WEB: WWW.GENERICOEP.COM

TRUSS 20.5
5FT

| | | |
|----------------------|---------------------|---------|
| SIZE B | FSCM NO. | DWG NO. |
| SCALE NONE | SHEET 1:1 | REV |

THIS DOCUMENT AND THE SPECIFICATIONS DESCRIBED WITHIN ARE THE EXCLUSIVE PROPERTY OF GEP INC. THEY ARE ISSUED IN STRICT CONFIDENCE AND SHALL NOT BE REPRODUCED, COPIED, OR USED WITHOUT THE PRIOR WRITTEN PERMISSION OF QUANTUM ENERGY DEVICES, INC.