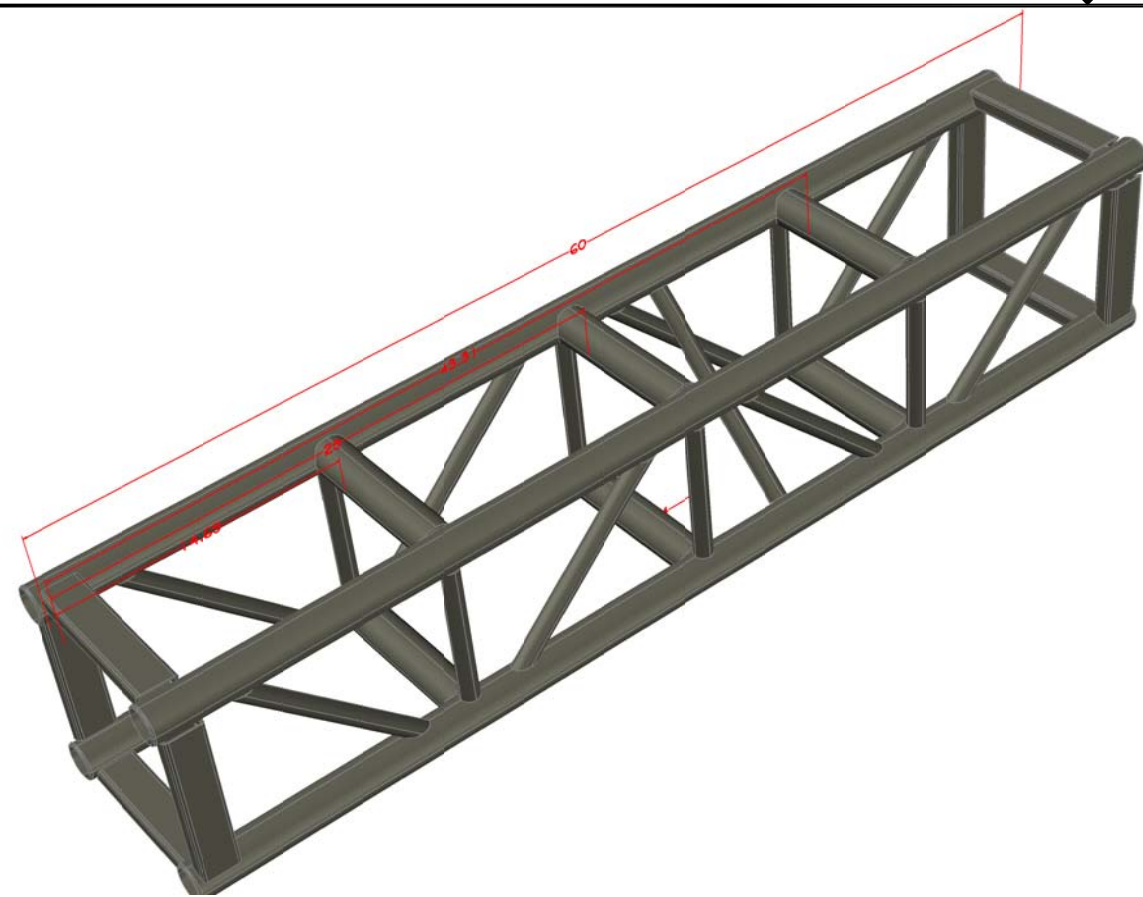


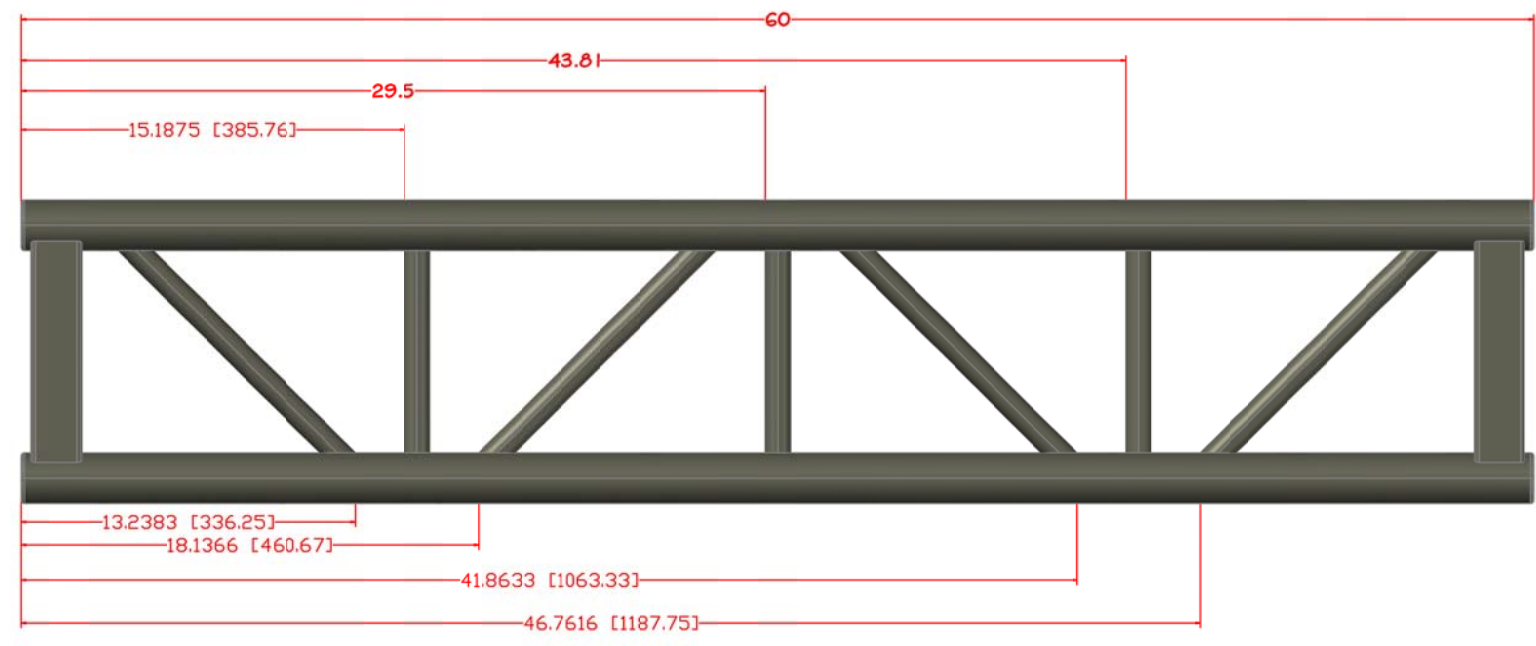
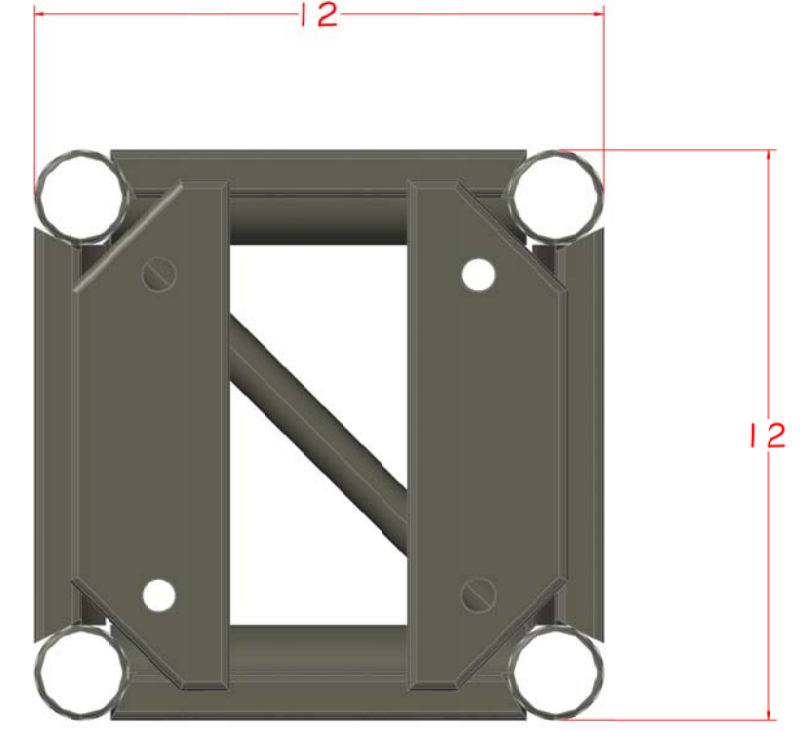
GEF 12X12X60

8.18.15

PNE



REVISIONS				
ZONE	REV	DESCRIPTION	DATE	APPROVED



**GENeRICO**  
Entertainment Products

PHONE: 1 201.617.8900 FAX: 1 201.617.8908 WEB: WWW.GENERICOEP.COM

12" X 12" TRUSS  
5FT / 60"

SIZE <b>B</b>	FSCM NO.	DWG NO.	1:1
SCALE <b>NONE</b>	SHEET	REV	

THIS DOCUMENT AND THE SPECIFICATIONS DESCRIBED WITHIN ARE THE EXCLUSIVE PROPERTY OF GEP INC. THEY ARE ISSUED IN STRICT CONFIDENCE AND SHALL NOT BE REPRODUCED, COPIED, OR USED WITHOUT THE PRIOR WRITTEN PERMISSION OF QUANTUM ENERGY DEVICES, INC.