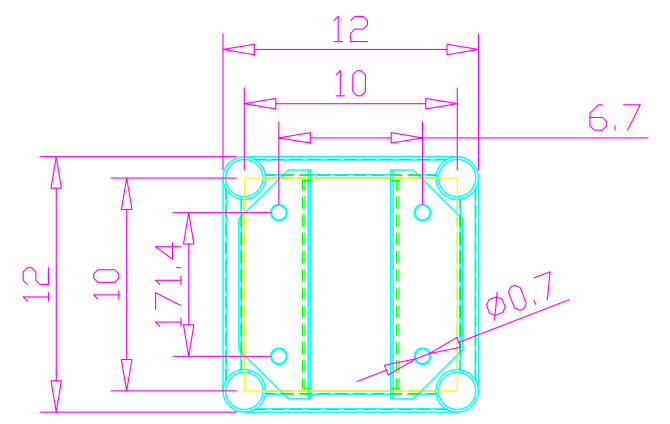
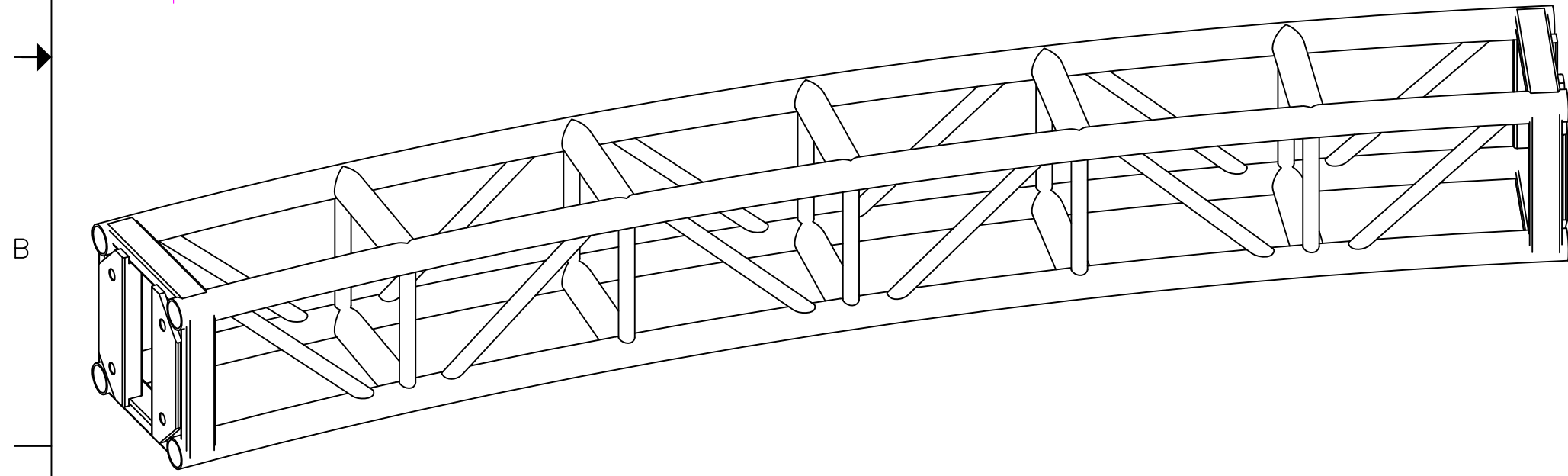
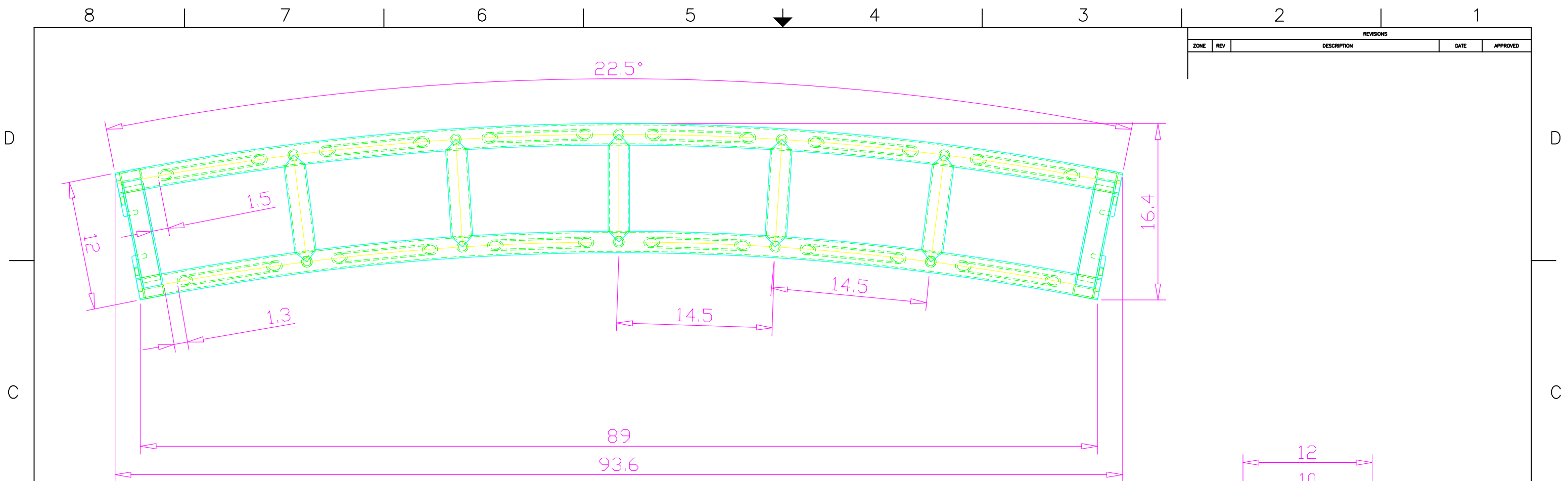


CIRCLES

02/05/15

PNE

REVISIONS				
ZONE	REV	DESCRIPTION	DATE	APPROVED



40' circle truss.

GENeRICO

Entertainment Products

40' CIRCLE 12" TRUSS

SIZE B	FSCM NO.	DWG NO.
SCALE 3	NONE	SHEET 1 REV

THIS DOCUMENT AND THE SPECIFICATIONS DESCRIBED WITHIN ARE THE EXCLUSIVE PROPERTY OF B.M.L INC. THEY ARE ISSUED IN STRICT CONFIDENCE AND SHALL NOT BE REPRODUCED, COPIED, OR USED WITHOUT THE PRIOR WRITTEN PERMISSION OF B.M.L INC.

01.08.14

PNE

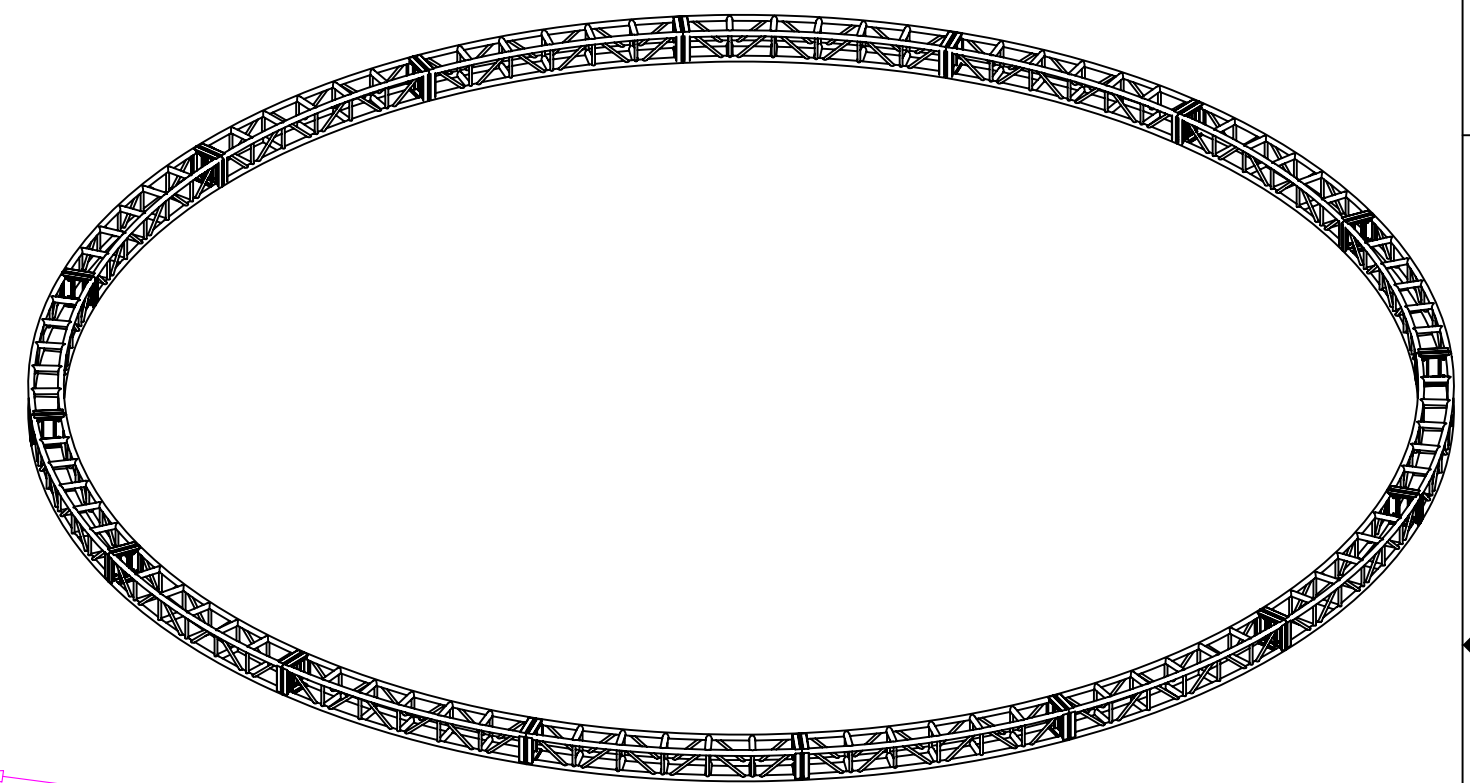
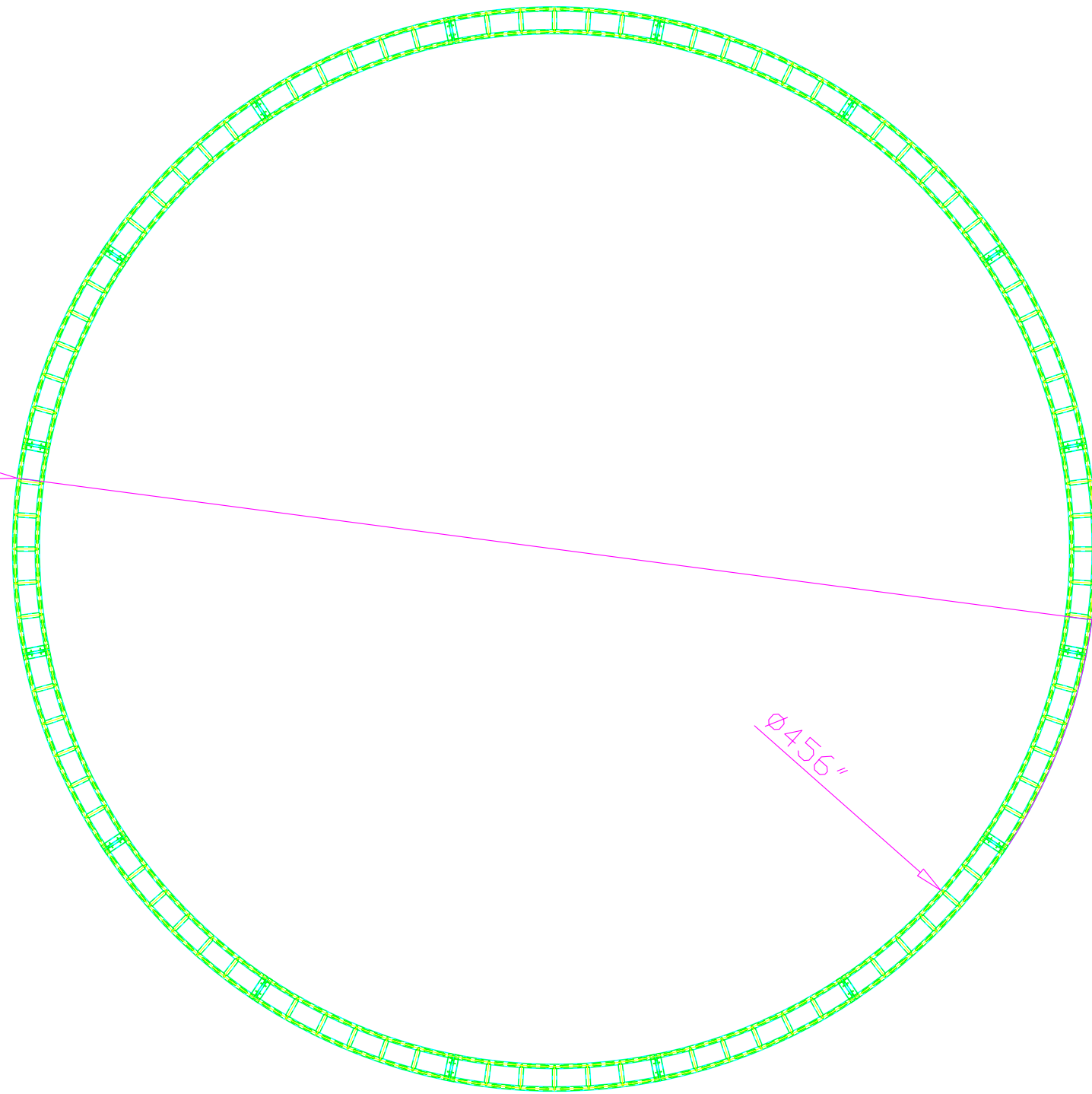
circles

8 7 6 5 4 3 2 1

REVISIONS				
ZONE	REV	DESCRIPTION	DATE	APPROVED

D
C
B
A

D
C
B



GENeRICO
Entertainment Products

30' CIRCLE
12" TRUSS

SIZE B	FSCM NO.	DWG NO.
SCALE 3	NONE	SHEET 2:2
		1 REV

THIS DOCUMENT AND THE SPECIFICATIONS DESCRIBED WITHIN ARE THE EXCLUSIVE PROPERTY OF B.M.L INC. THEY ARE ISSUED IN STRICT CONFIDENCE AND SHALL NOT BE REPRODUCED, COPIED, OR USED WITHOUT THE PRIOR WRITTEN PERMISSION OF B.M.L INC.