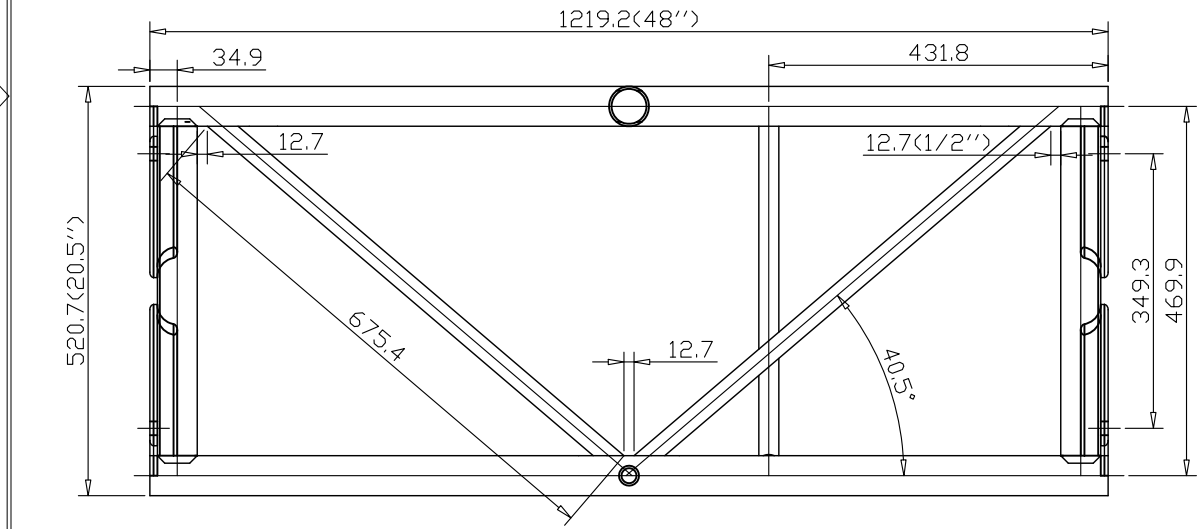
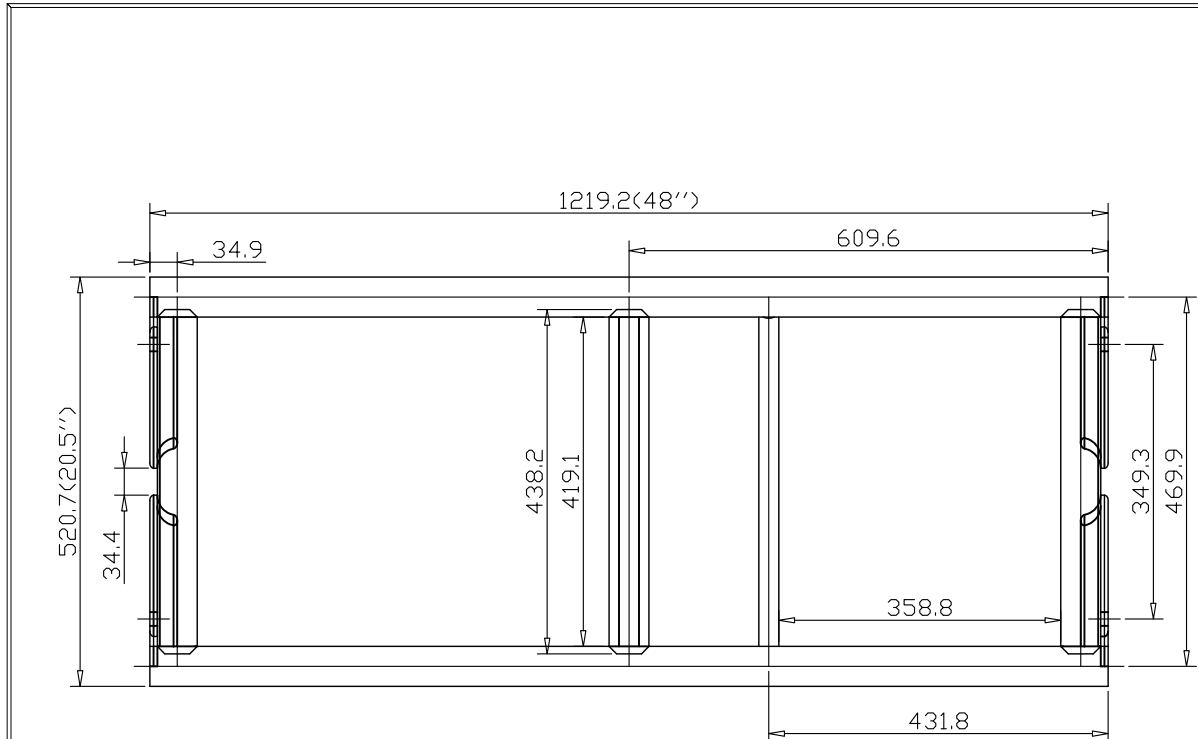


TRUSS 20.5 4FT

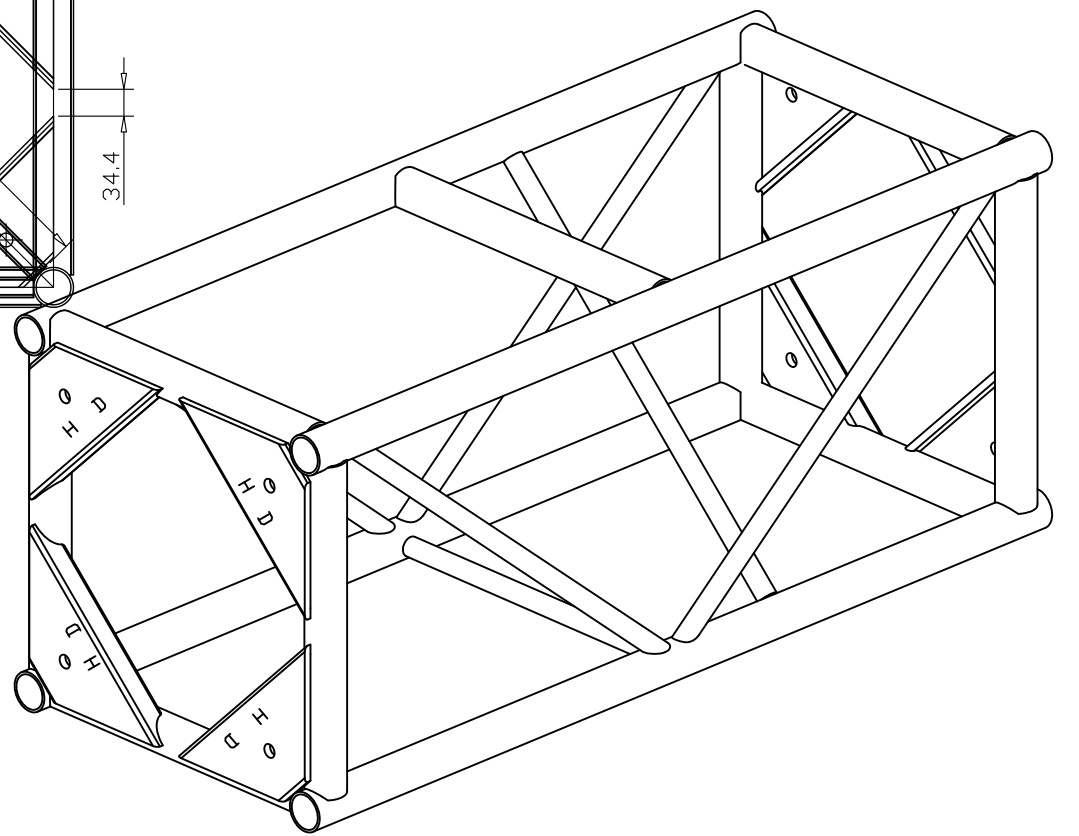
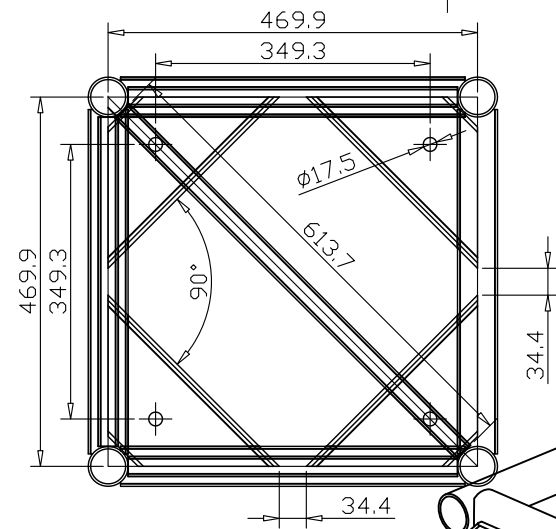
06.17.2015

PNE



19.4kg

REVISIONS				
ZONE	REV	DESCRIPTION	DATE	APPROVED



GENERICICO

Entertainment Products

PHONE: 1 201.617.8900 FAX: 1 201.617.8908 WEB: WWW.GENERICOEP.COM

TRUSS 20.5
4FT

SIZE B	FSCM NO.	DWG NO.
SCALE NONE	SHEET 1:1	REV

THIS DOCUMENT AND THE SPECIFICATIONS DESCRIBED WITHIN ARE THE EXCLUSIVE PROPERTY OF GEP INC. THEY ARE ISSUED IN STRICT CONFIDENCE AND SHALL NOT BE REPRODUCED, COPIED, OR USED WITHOUT THE PRIOR WRITTEN PERMISSION OF QUANTUM ENERGY DEVICES, INC.