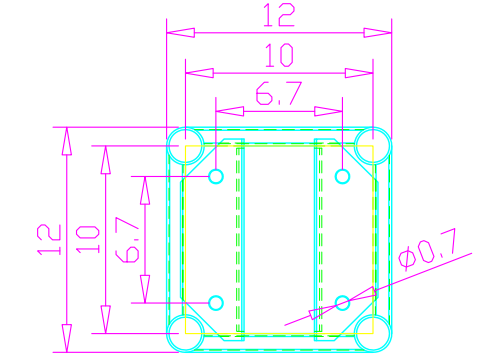
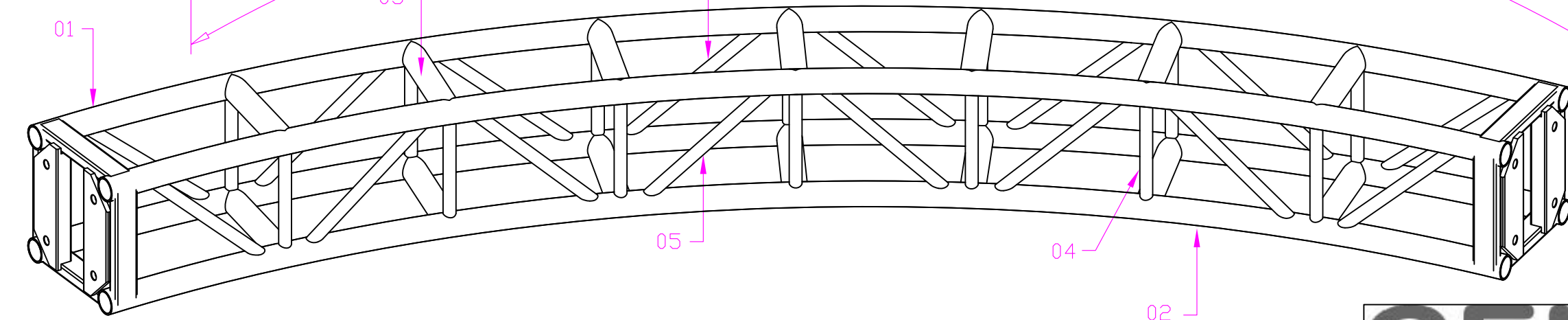
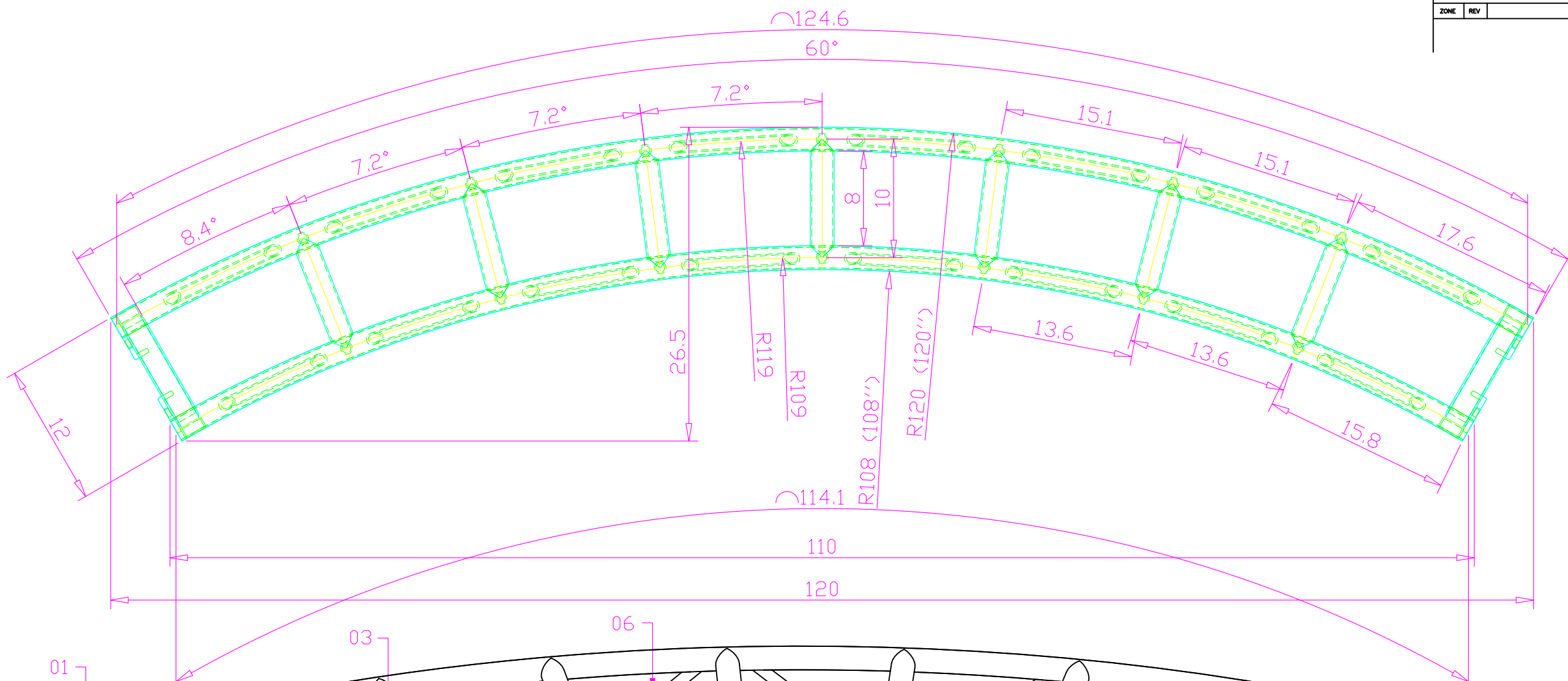


CIRCLES

02/05/15

PNE

REV		DESCRIPTION	DATE	APPROVED



30' circle truss.

GENERIC

Entertainment Products

30' CIRCLE 12" TRUSS

SIZE B	FSCM NO.	DWG NO.
SCALE 3	NONE	SHEET 1 REV

THIS DOCUMENT AND THE SPECIFICATIONS DESCRIBED WITHIN ARE THE EXCLUSIVE PROPERTY OF B.M.L INC. THEY ARE ISSUED IN STRICT CONFIDENCE AND SHALL NOT BE REPRODUCED, COPIED, OR USED WITHOUT THE PRIOR WRITTEN PERMISSION OF B.M.L INC.

circles

01.08.14

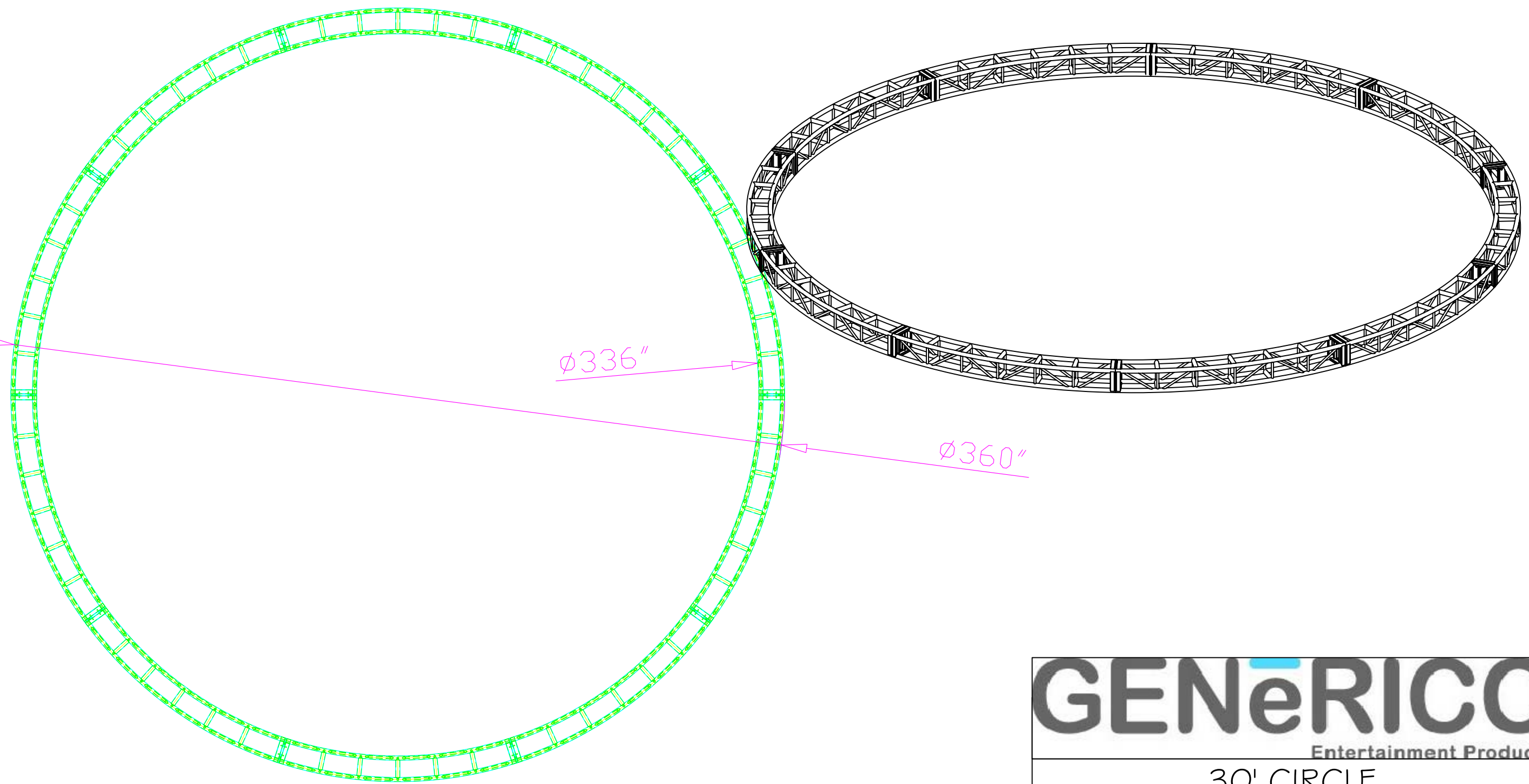
PNE

8 7 6 5 4 3 2 1

REVISIONS				
ZONE	REV	DESCRIPTION	DATE	APPROVED

D
C
B
A

D
C
B



GENeRICO
Entertainment Products

30' CIRCLE
12" TRUSS

SIZE B	FSCM NO.	DWG NO.
SCALE 3	NONE	SHEET 2:2 1 REV

THIS DOCUMENT AND THE SPECIFICATIONS DESCRIBED WITHIN ARE THE EXCLUSIVE PROPERTY OF B.M.L INC. THEY ARE ISSUED IN STRICT CONFIDENCE AND SHALL NOT BE REPRODUCED, COPIED, OR USED WITHOUT THE PRIOR WRITTEN PERMISSION OF B.M.L INC.