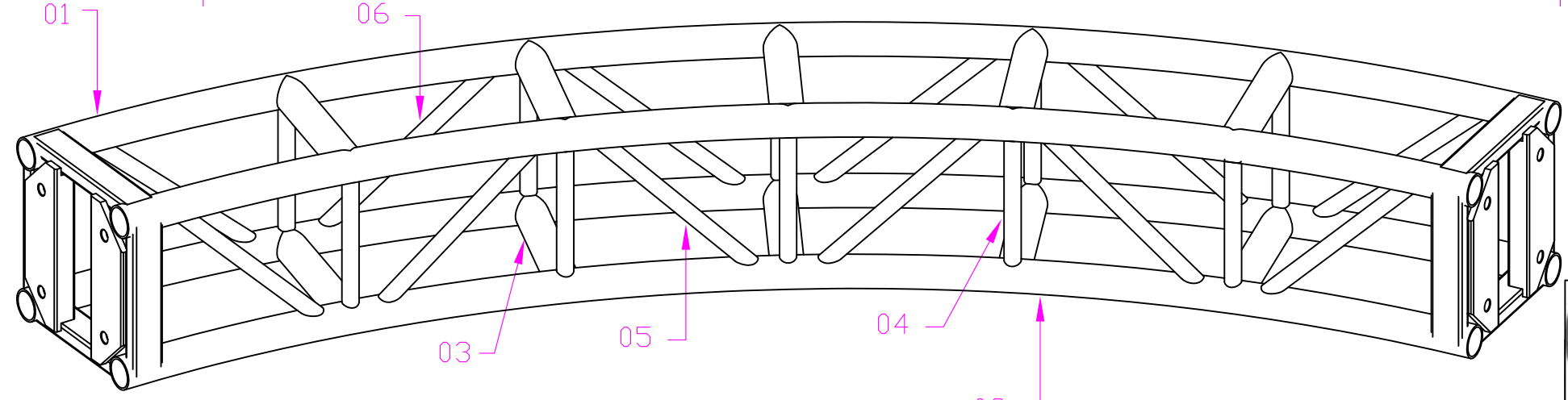
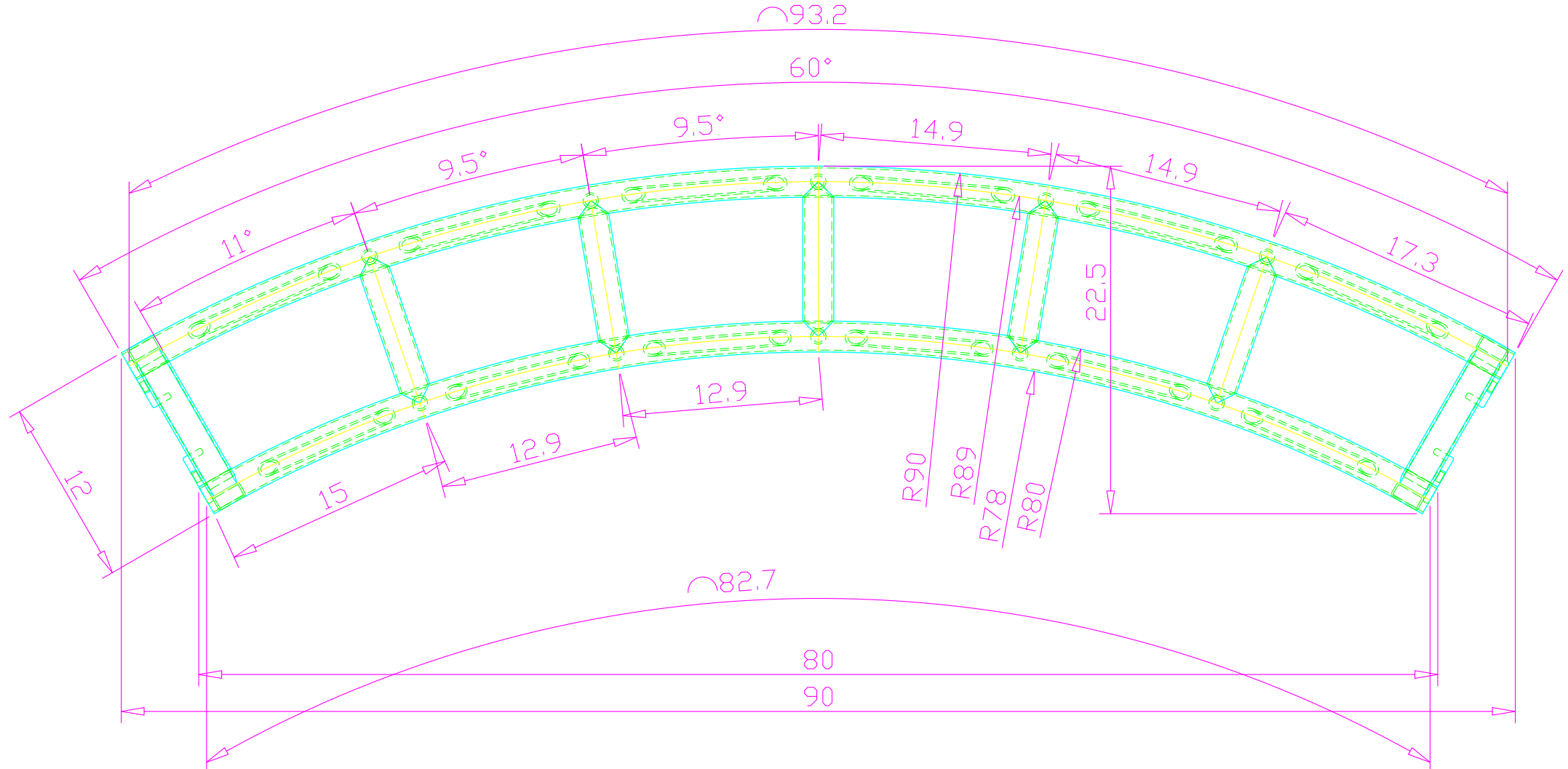


CIRCLES

02/05/15

PNE

REV		DESCRIPTION	DATE	APPROVED



15' circle truss.

GENeRICO
Entertainment Products

15' CIRCLE
12" TRUSS

SIZE B	FSCM NO.	DWG NO.
SCALE 3	NONE	SHEET 1
1:2		1 REV

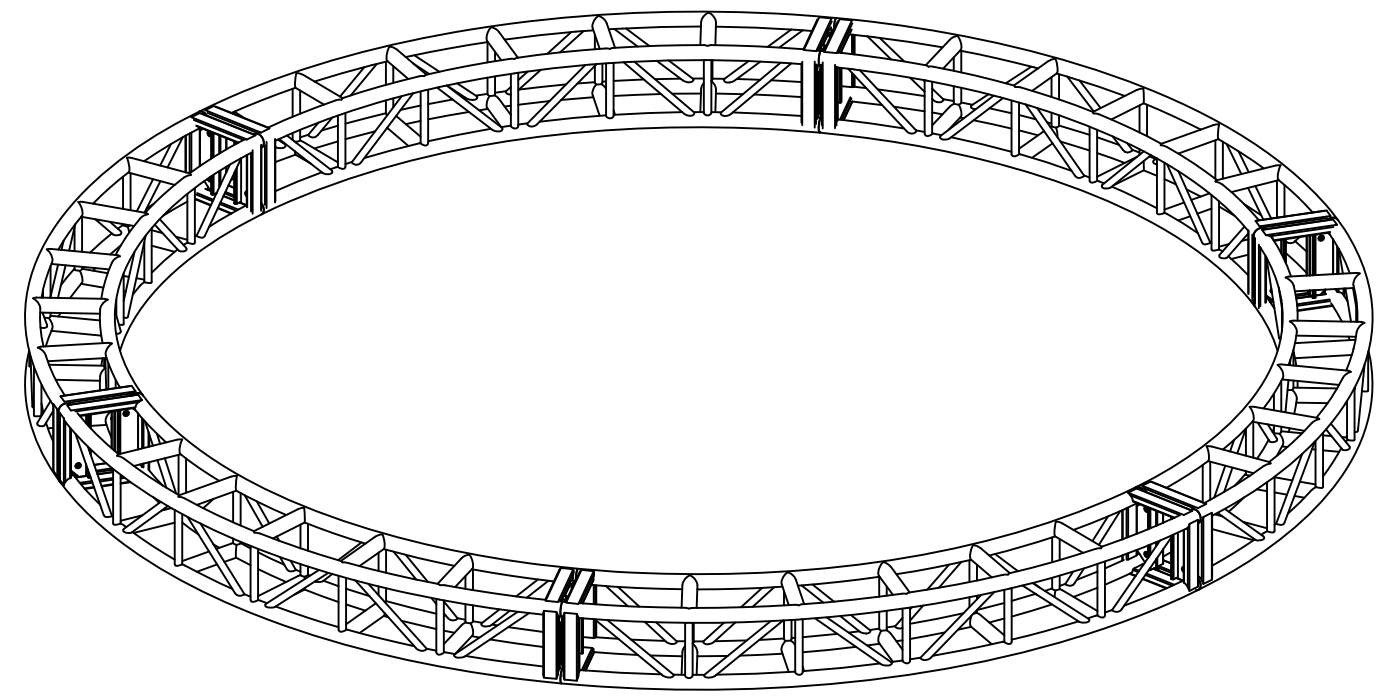
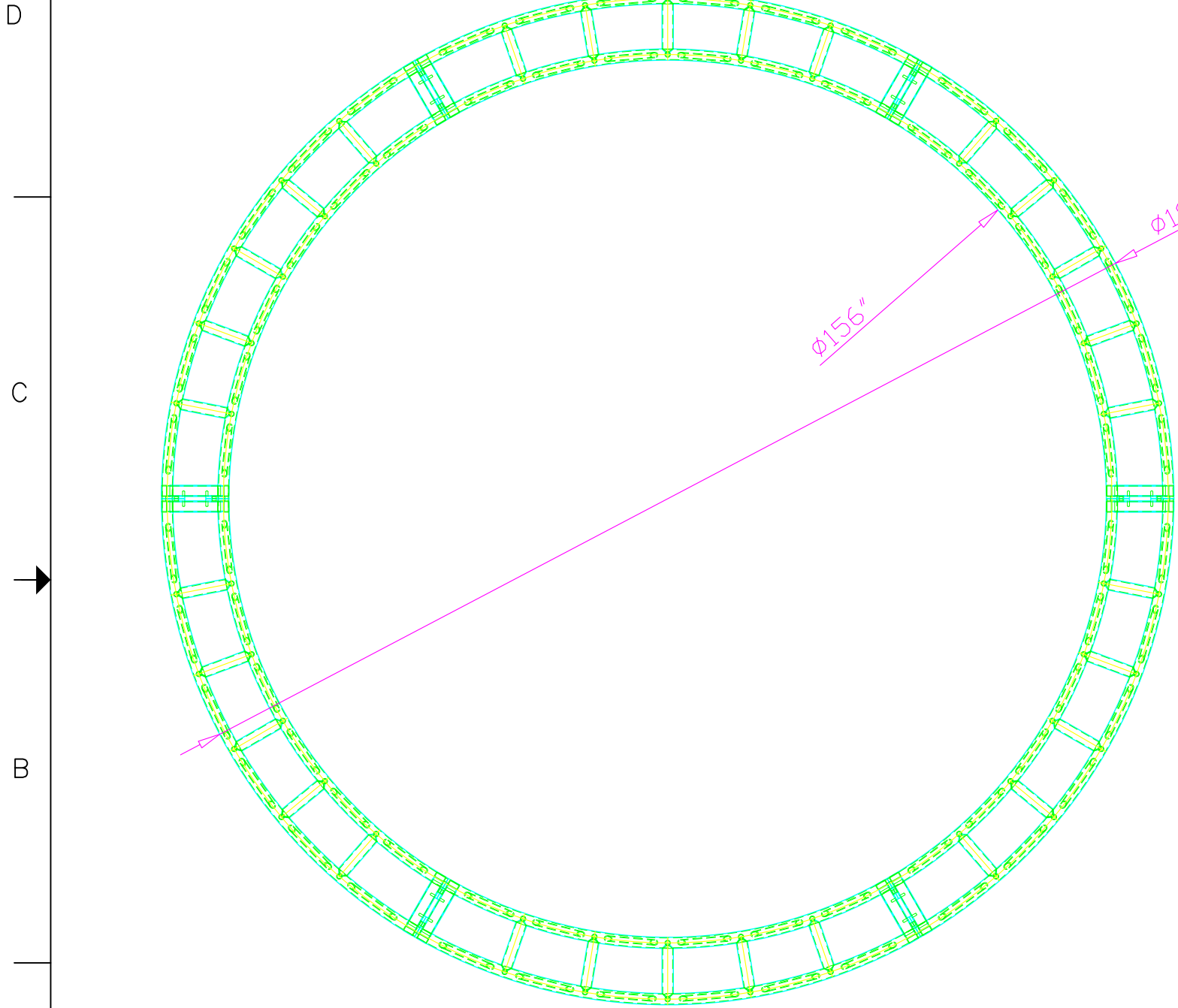
THIS DOCUMENT AND THE SPECIFICATIONS DESCRIBED WITHIN ARE THE EXCLUSIVE PROPERTY OF B.M.L INC. THEY ARE ISSUED IN STRICT CONFIDENCE AND SHALL NOT BE REPRODUCED, COPIED, OR USED WITHOUT THE PRIOR WRITTEN PERMISSION OF B.M.L INC.

01.08.14

PNE

8 7 6 5 4 3 2 1

REVISIONS				
ZONE	REV	DESCRIPTION	DATE	APPROVED



GENeRICO
Entertainment Products

15' CIRCLE
12" TRUSS

SIZE B	FSCM NO.	DWG NO.
SCALE 3	NONE	SHEET 2:2
		1 REV

THIS DOCUMENT AND THE SPECIFICATIONS DESCRIBED WITHIN ARE THE EXCLUSIVE PROPERTY OF B.M.L INC. THEY ARE ISSUED IN STRICT CONFIDENCE AND SHALL NOT BE REPRODUCED, COPIED, OR USED WITHOUT THE PRIOR WRITTEN PERMISSION OF B.M.L INC.