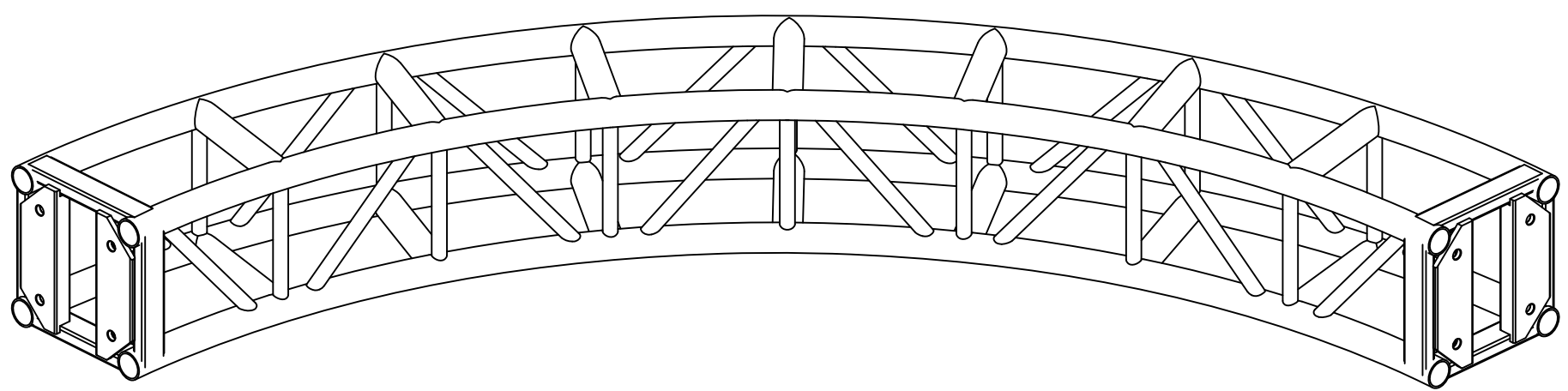
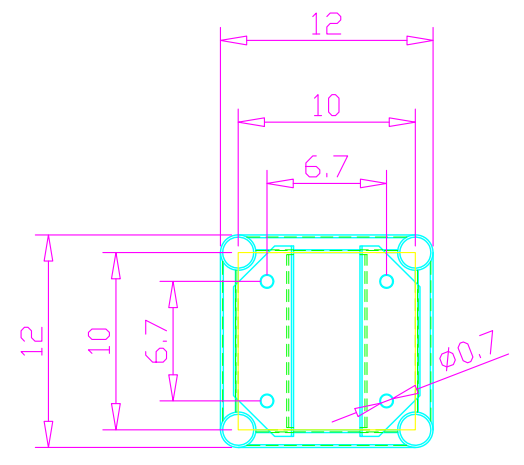
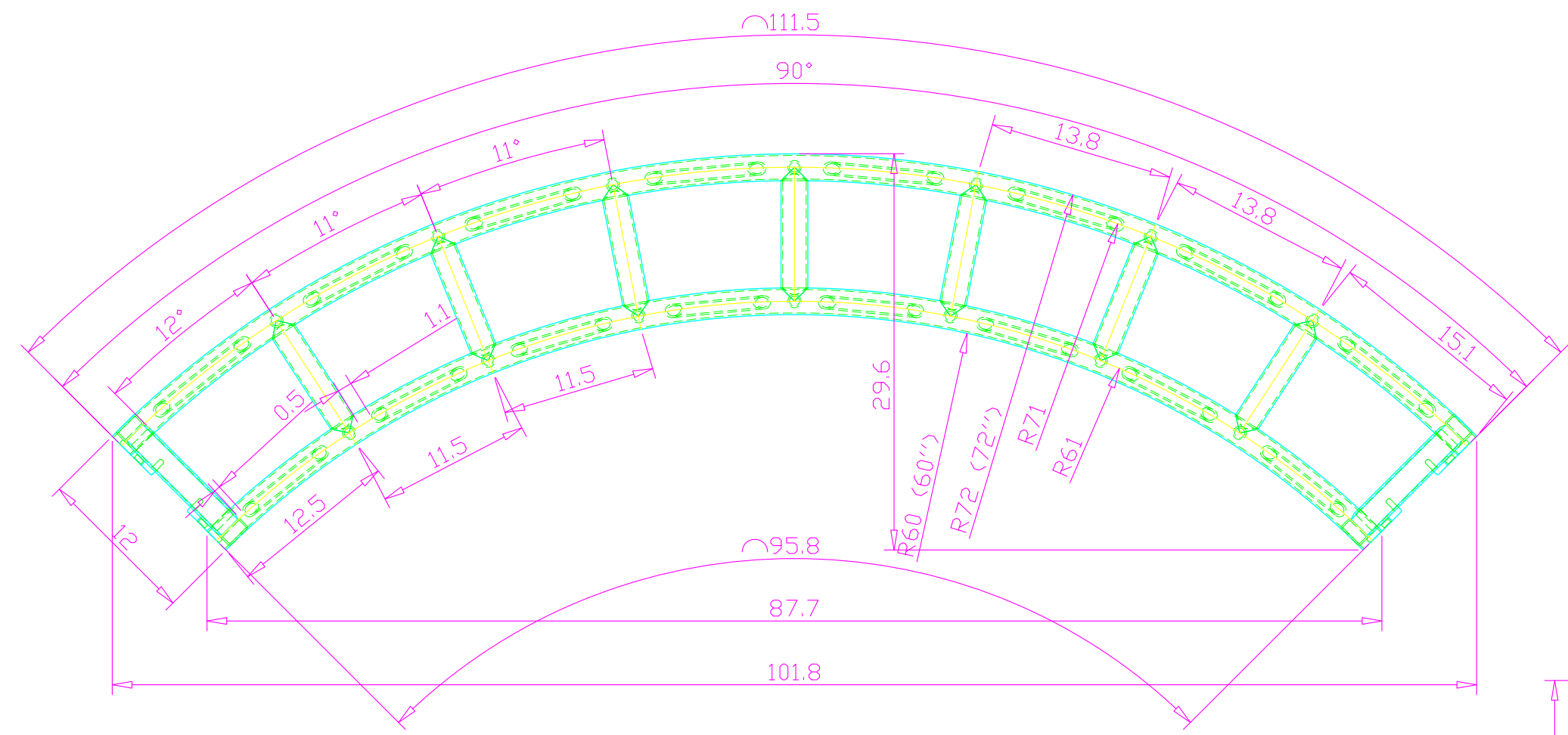


CIRCLES

02/05/15

PNE

REVISIONS				
ZONE	REV	DESCRIPTION	DATE	APPROVED



12' circle truss.

# GENeRICO

Entertainment Products

## 12' CIRCLE 12" TRUSS

SIZE <b>B</b>	FSCM NO.	DWG NO.
SCALE <b>3</b>	<b>NONE</b>	SHEET <b>1</b> REV

01.08.14

PNE

circles

8 7 6 5 4 3 2 1

REVISIONS				
ZONE	REV	DESCRIPTION	DATE	APPROVED

D

C

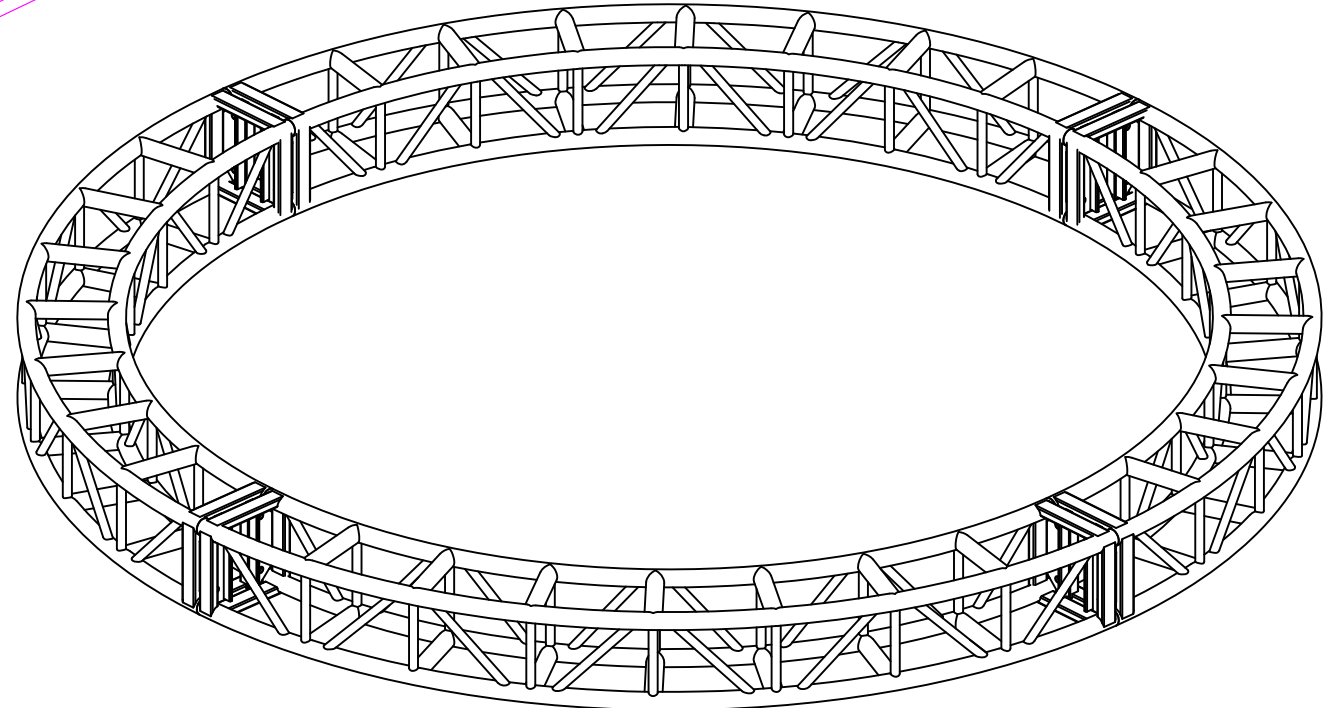
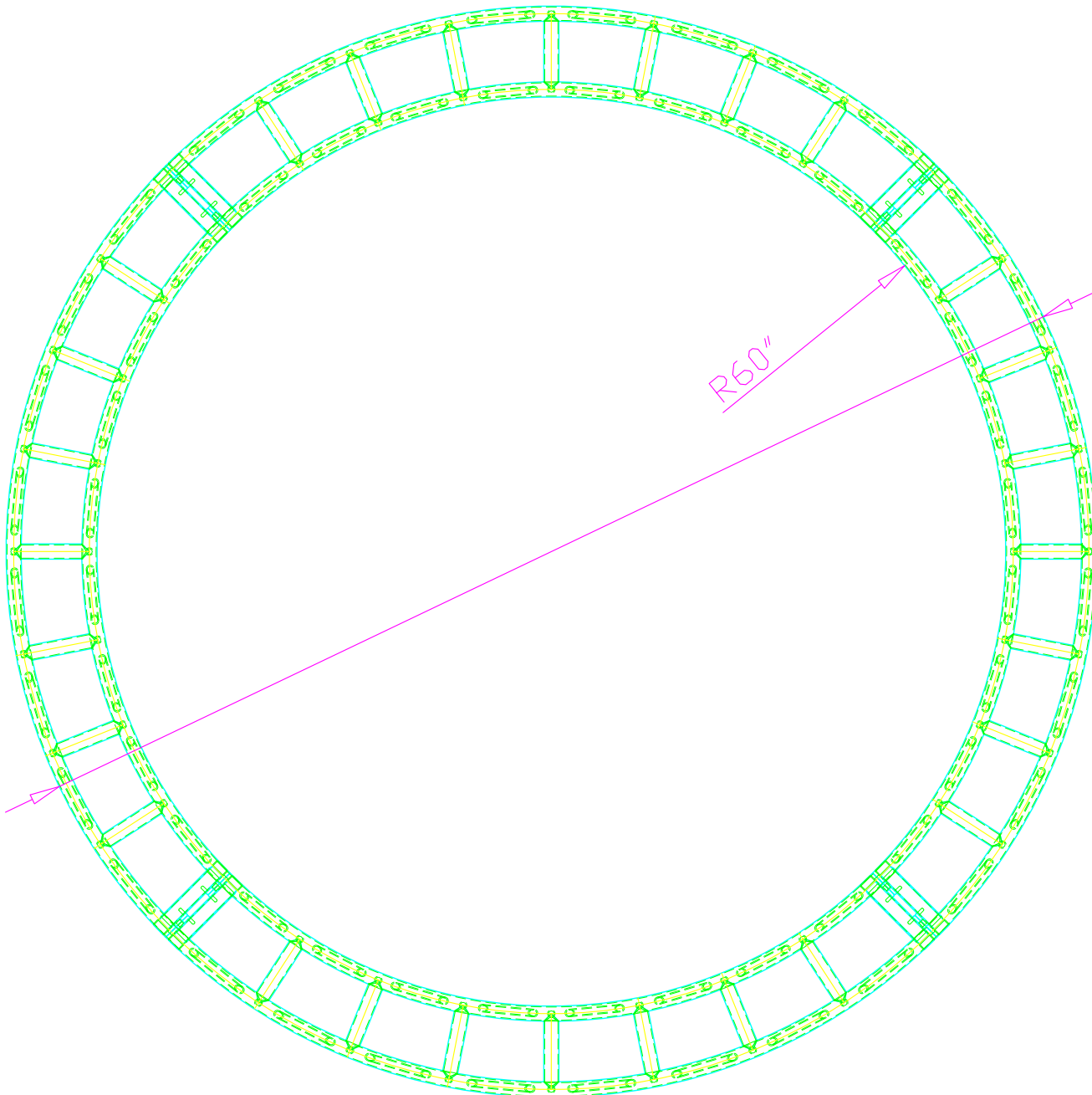
B

A

D

C

B



**GENeRICO**  
Entertainment Products

12' CIRCLE  
12" TRUSS

SIZE <b>B</b>	FSCM NO.	DWG NO.
SCALE <b>3</b>	<b>NONE</b>	SHEET <b>2:2</b>
		1 REV

THIS DOCUMENT AND THE SPECIFICATIONS DESCRIBED WITHIN ARE THE EXCLUSIVE PROPERTY OF B.M.L INC. THEY ARE ISSUED IN STRICT CONFIDENCE AND SHALL NOT BE REPRODUCED, COPIED, OR USED WITHOUT THE PRIOR WRITTEN PERMISSION OF B.M.L INC.