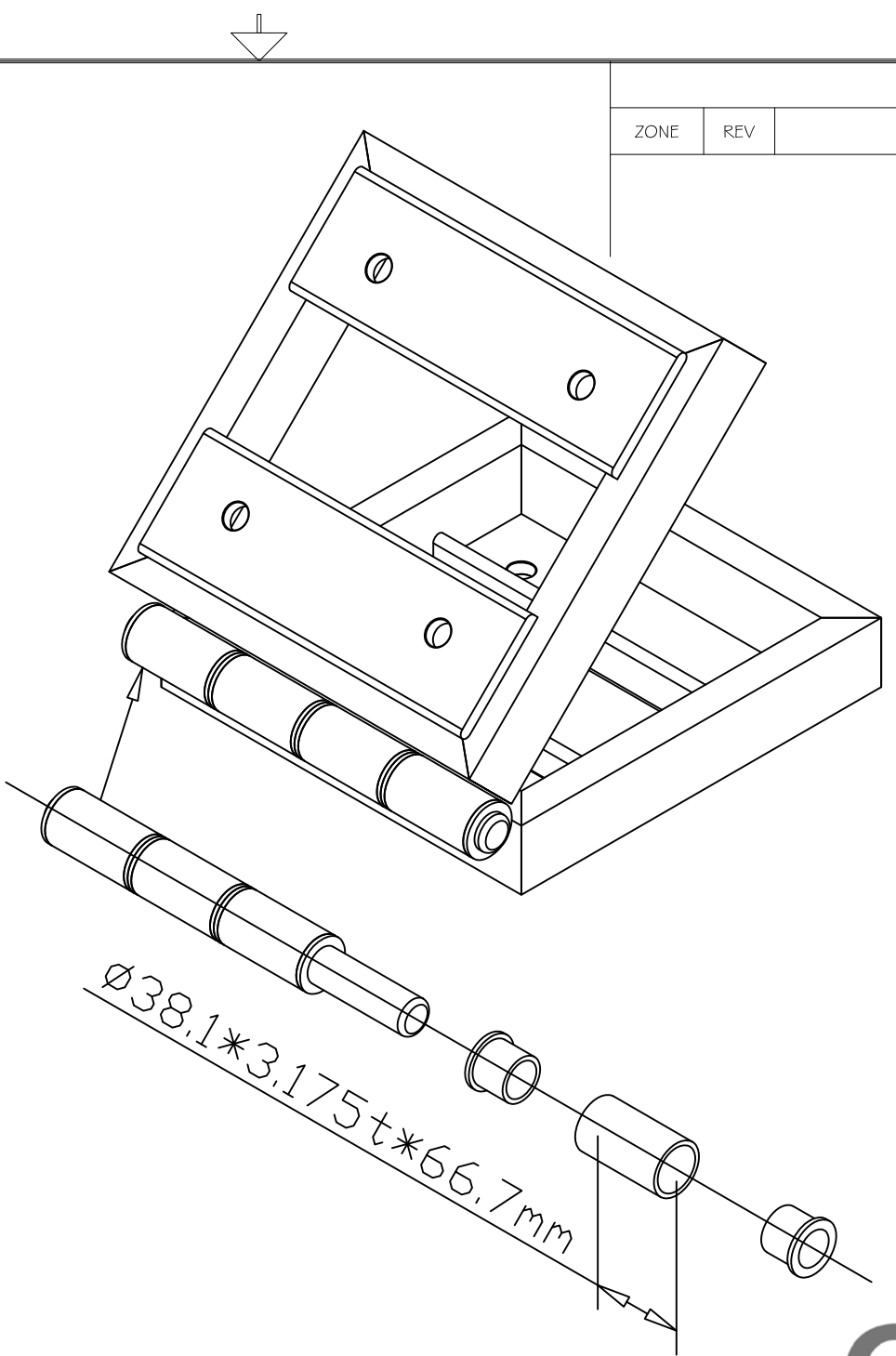
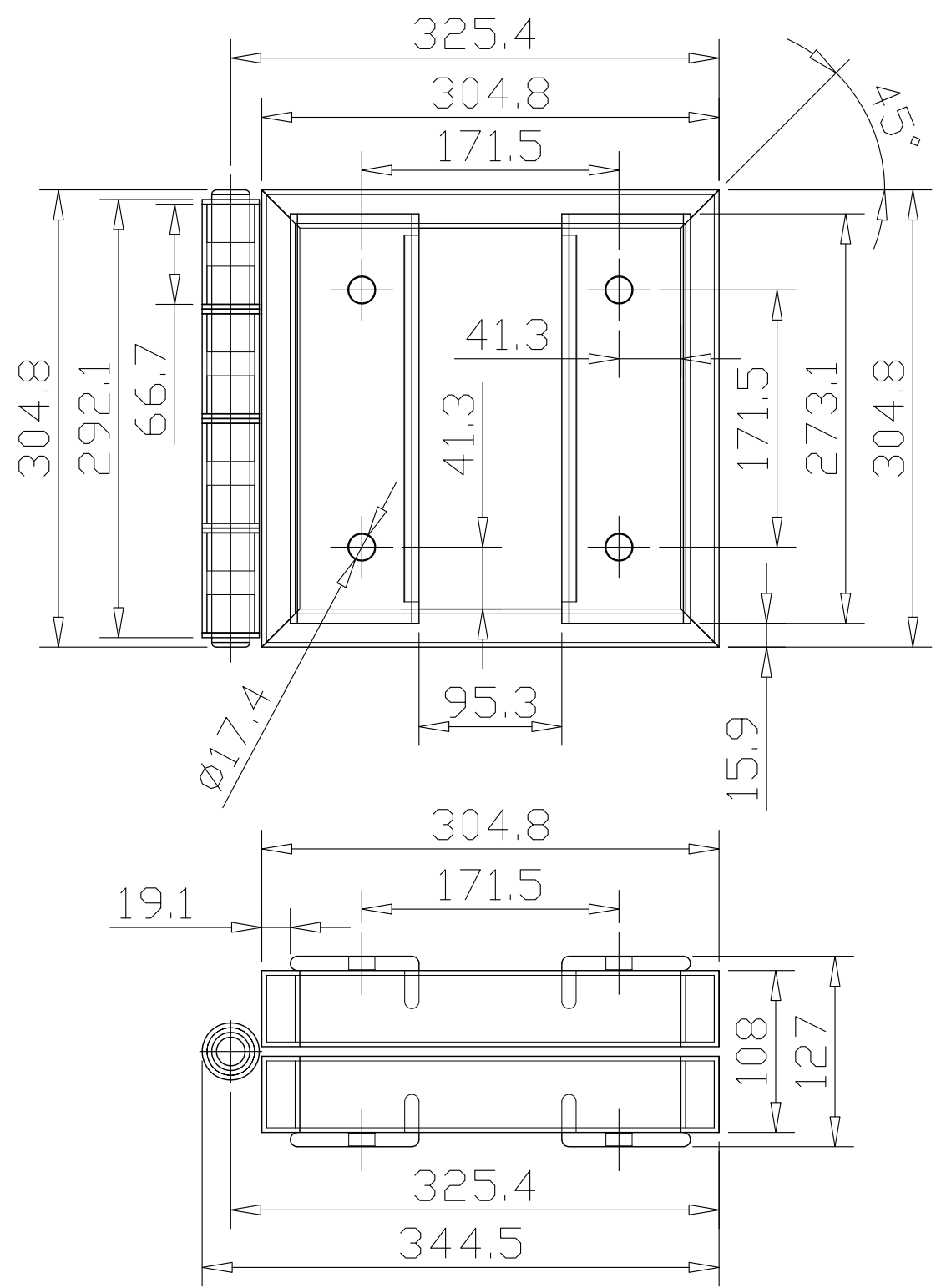


REVISIONS				
ZONE	REV	DESCRIPTION	DATE	APPROVED



GENeRICO
Entertainment Products

PHONE: 1201.617.8900 FAX: 1201617.8908 WEB: WWW.GENERICOEP.COM

12X12
BOOK END HINGE

SIZE B	FSCM NO.	DWG NO.
SCALE NONE	SHEET	REV

THIS DOCUMENT AND THE SPECIFICATIONS DESCRIBED WITHIN ARE THE EXCLUSIVE PROPERTY OF GEP INC. THEY ARE ISSUED IN STRICT CONFIDENCE AND SHALL NOT BE REPRODUCED, COPIED, OR USED WITHOUT THE PRIOR WRITTEN PERMISSION OF QUANTUM ENERGY DEVICES, INC.